

Model		
MXD Xtreme		

Evol.	Table	Date
1	2	01/01/2011

N.	Code	Features
1	C0007M114	
2	C0007M113	
2A	C0007M101B	
2B	C0007M113A	
2C	C0007M101C	
3	C222002	
3A	C0007M162A	
3B	C222001	
4	C0004M121E	
5	C0002M111A	
6	C204019	
7	C212002	
8	C211001	
9	C00061211	230V - 50Hz
	C000612111	220V - 60Hz
	C000612112	110V - 60Hz
10	C00061128	230V - 50/60 Hz
	C00061131	110V - 60Hz
11	C0007M1031	
12	C00061611	
13	C0007M141	
14	C0007M11700	
15	C0001M107	
16	C00061021	
17	C0004M143	
18	C00071614	
19	C00061517	SHUKO
	C000615171	USA
	C000615172	UK
	C000615173	SWITZERLAND
	C000615174	AUSTRALIA
	C000615175	BRAZIL
20	C0004M139	

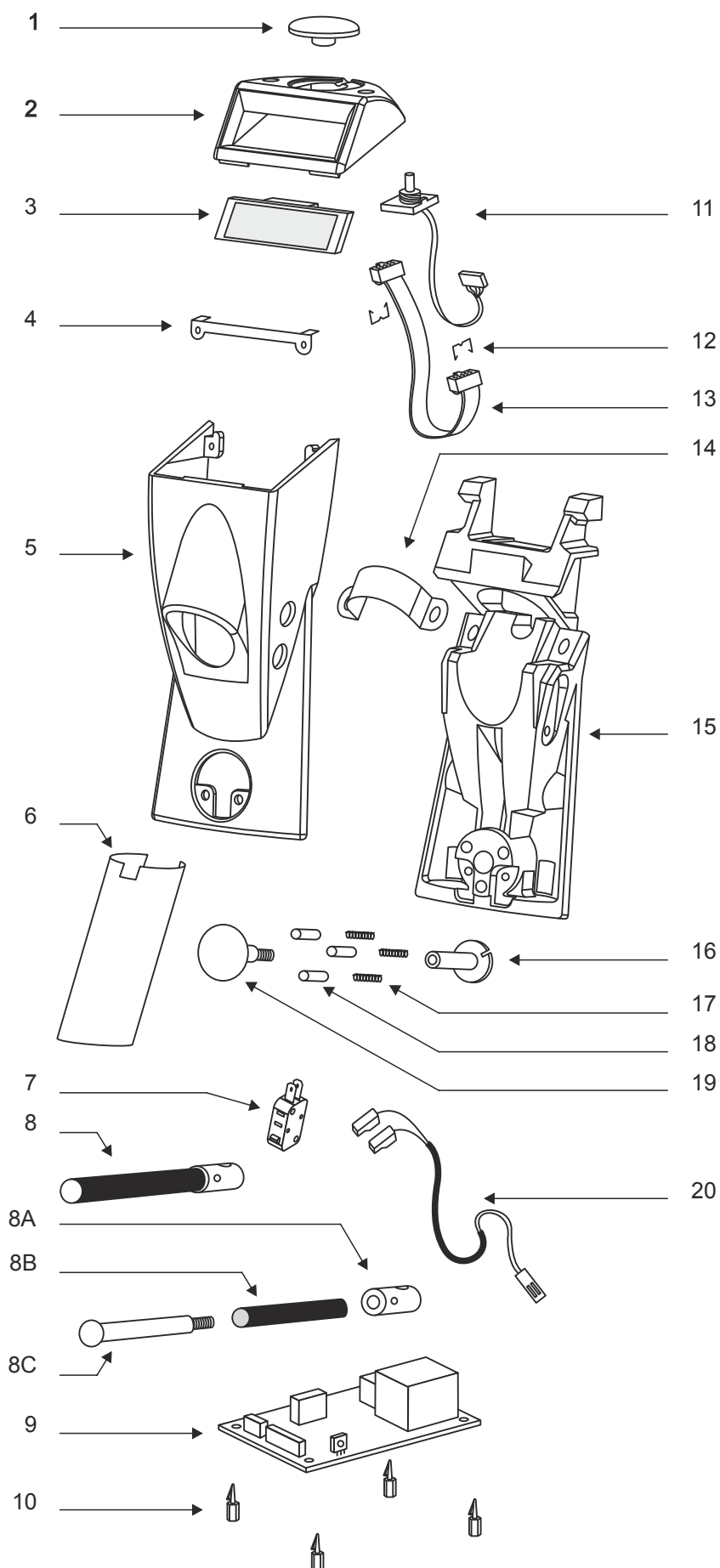
Descriptions

Available
Not available

Model		
MXD Xtreme		

Evol.	Table	Date
1	1	01/01/2011

N.	Code	Features
1	C204011	
2	C217001	
3	C206009	
4	C204005	
5	C207001	
6	C204007	
7	C00061030	
8	C2040131	
8A	C204015	
8B	C206014	
8C	C204013	
9	C206008	230V - 50/60 Hz
	C2060081	110V - 60Hz
10	C0007M172	
11	C206012	
12	C0008M113	
13	C206010	
14	C204004	
15	C202003	
16	C204017	
17	C208019	
18	C204018	
19	C204016	
20	C206013	



Descriptions	
Available	
Not available	