

DIVA - TWIN DIVA - TRI DIVA

**LISTE DES PIECES DETACHEES
LIST OF SPARE PARTS**



UNIC SA
Z.I. 4^e RUE - B.P. 425
06515 CARROS CEDEX 1
FRANCE
Tél : (04 92 08 62 60
Fax : (04 93 29 24 23

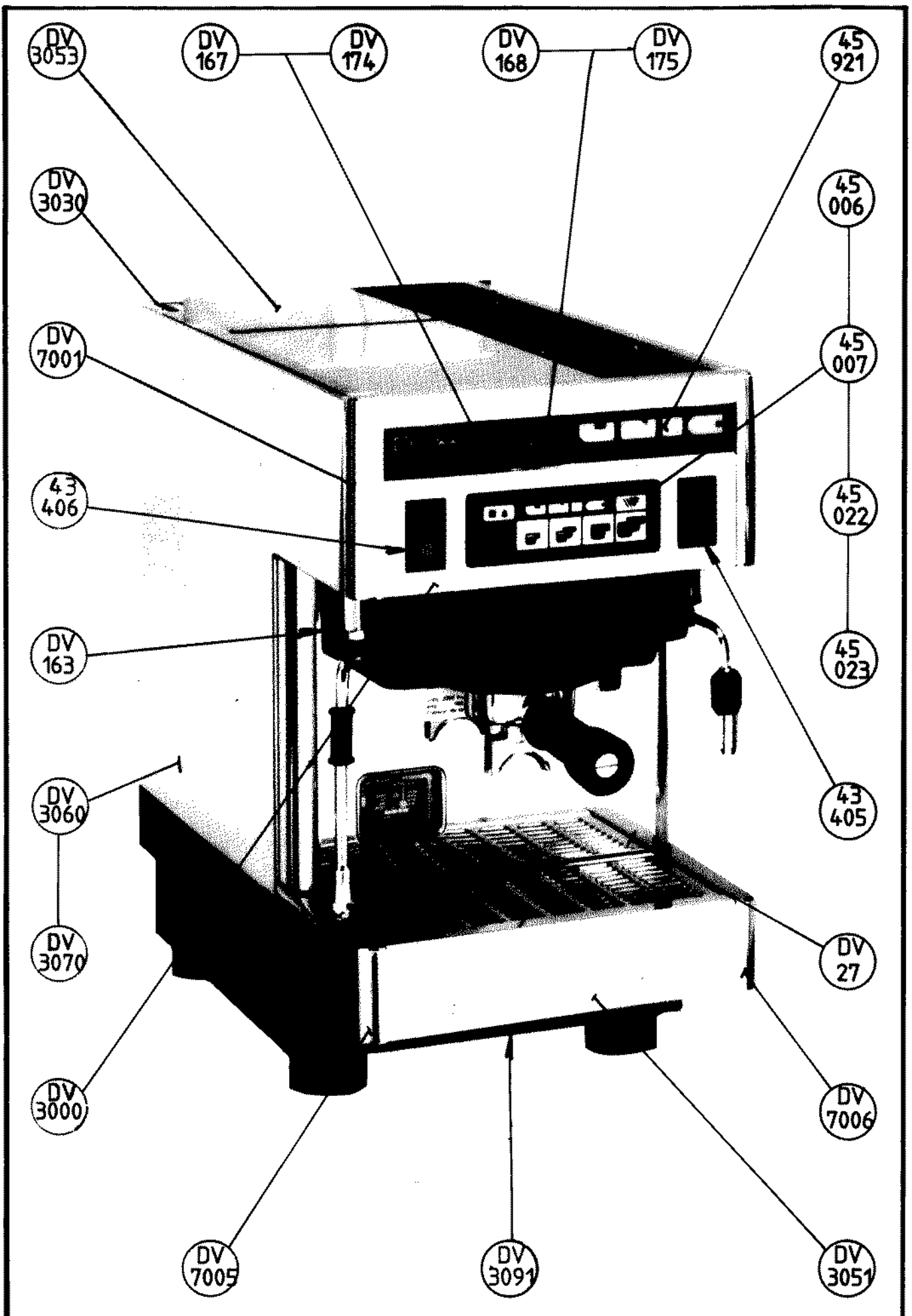
DIVA - TWIN DIVA - TRI DIVA

LISTE DES PIECES DETACHEES LIST OF SPARE PARTS

100	DIVA	DIVA
110	TWIN DIVA TRI DIVA	TWIN DIVA TRI DIVA
200	JUPETTE	COVER
210	FACE AVANT	FRONT
220	VIDANGE TWIN DIVA	TWIN DIVA DRAIN
230	VIDANGE	DRAIN
240	GROUPE	UNIT
245	TUBE DE DECOMPRESSION	DECOMPRESSION PIPE
250	GROUPE ET MANOMETRE	UNIT AND MANOMETER
280	PORTE FILTRE	FILTER HOLDER
290	ELECTROVANNE 3 VOIES	ELECTROVALVE 3 WAYS
310	BOITES ELECTRONIQUES	ELECTRONIC BOXES
320	CHAUDIERE 2 GR.	BOILER - 2 UNITS
330	CHAUDIERE 1 GR.	BOILER - 1 UNIT
340	CIRCUIT HYDRAULIQUE	HYDRAULIC CIRCUIT
350	TUBES DIVA	PIPE DIVA
360	CIRCUIT HYDRAULQUE TWIN	HYDRAULIC CIRCUIT TWIN
370	TUBES TWIN DIVA	PIPE TWIN DIVA
375	TUBES TRI DIVA	PIPE TRI DIVA
420	ENTREE D'EAU	WATER FEEDING
450	DOSEUR D'EAU	WATER DOSER
455	SOUPAPE HAUTE PRESSION	H.P. VALVE
460	DOSEUR D'EAU	WATER DOSER
470	SOUPAPE B.P.	L.P. VALVE
480	ELEMENT CHAUFFANT	HEATING ELEMENT
485	THERMOSTAT DE SECURITE	SAFETY THERMOSTAT
490	POMPE ROTATIVE	PUMP
500	MOTEUR POMPE	PUMP MOTOR
520	ELECTROVANNE 2 VOIES	ELECTROVALVE 2 WAYS
530	ELECTROVANNES EAU CHAUDE VAPEUR	HOT WATER STEAM ELECTROVALVES
540	SORTIE VAPEUR TEFLON	TEFLON STEAM SPOUT
550	CAPPUCCINATORE	CAPPUCCINATORE
560	PRESSOSTAT	PRESSURESTAT
570	BORNIER	TERMINAL BOARD
580	PIED NSF	NSF FEET
590	KIT CAFE ITALIEN	ITALIAN COFFEE KIT
650	REFERENCE CABLE DIVA	WIRE REFERENCE DIVA
660	REFERENCE CABLE TWIN DIVA	WIRE REFERENCE TWIN DIVA
685	REFERENCE CABLE TRI DIVA	WIRE REFERENCE TRI DIVA
700	SCHEMA DE PRINCIPE DIVA	DIVA SKELETON DIAGRAM
710	SCHEMA DE CABLAGE DIVA	DIVA WIRING DIAGRAM
720	SCHEMA DE PRINCIPE TWIN DIVA	TWIN DIVA SKELETON DIAGRAM
730	SCHEMA DE CABLAGE TWIN DIVA	TWIN DIVA WIRING DIAGRAM
800	SCHEMA DE PRINCIPE TRI DIVA	TRI DIVA SKELETON DIAGRAM
810	SCHEMA DE CABLAGE TRI DIVA	TRI DIVA WIRING DIAGRAM

PLANCHE/PLATE : 100

43405	INTERRUPTEUR UNIP EAU CHAUDE	HOT WATER SWITCH
43406	INTERRUPTEUR VAPEUR	STEAM SWITCH
45006	BOITE ELECTRONIQUE d2 115V	ELECTRONIC BOX 115V d2
45007	BOITE ELECTRONIQUE d3 115V	ELECTRONIQUE BOX 115V d3
45022	BOITE ELECTRONIQUE d2 230V	ELECTRONIQUE BOX 230V d2
45023	BOITE ELECTRONIQUE d3 230V	ELECTRONIQUE BOX 230V d3
45921	BANDEAU ADHESIF DIVA	STICKER DIVA
DV-27	DEVANT DE DIVA OU PHOENIX	PANEL - FRONT - LOWER
DV-163	JUPETTE PLASTIQUE MOD	COVER PLASTIC
DV-167	INTERRUPT.ON/OFF ROUGE 125V	SWITCH ON-OFF
DV-168	INTERRUPT.CHAUFFE AMBRE 125V	HEATING SWITCH
DV-174	INTERRUPT. ON/OFF ROUGE 250V.	RED SWITCH
DV-175	INTERRUPT. CHAUFFE AMBRE 250V	SWITCH AMBER
DV3000	CALANDRE INOX DIVA	UPPER FRONT PANEL
DV3030	CHEMISE INOX	STAINLESS STEEL CASING
DV3051	GRILLE DE BASSINE 1 GROUPE	1 UNIT OVERFLOW TRAY GRID
DV3053	CHAUFFE TASSES 1 GROUPE	CUP WARMER
DV3060	COTE DROIT INOX	STAINLESS STEEL RIGHT SIDE
DV3070	COTE GAUCHE INOX	STAINLESS STEEL LEFT SIDE
DV3091	TOLE PROTECTION DESSOUS 1 G	PANEL UNDER CARRAGE
DV7001	EMBOUT DE CALANDRE CHROME	UPPER FRONT PANEL ORNAMENTAL
DV7005	EMBOUT BASSINE GAUCHE CHROME	OVERFLOW TRAY LEFT END
DV7006	EMBOUT BASSINE DROIT CHROME	OVERFLOW TRAY RIGHT END



11-96

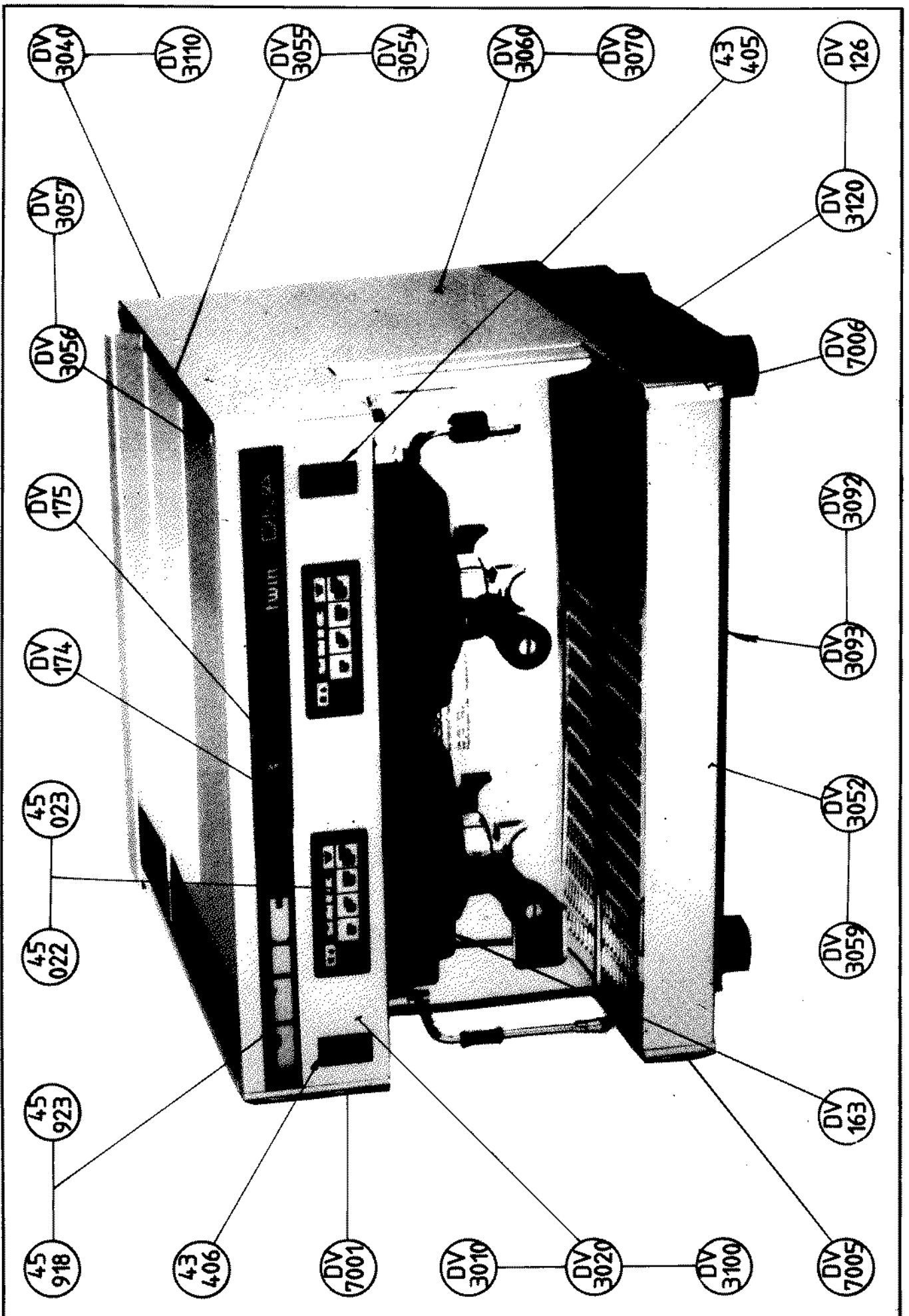
DIVA

UNICE

100

PLANCHE/PLATE : 110

43405	INTERRUPTEUR UNIP EAU CHAUDE	HOT WATER SWITCH
43406	INTERRUPTEUR VAPEUR	STEAM SWITCH
45022	BOITE ELECTRONIQUE d2 230V	ELECTRONIQUE BOX 230V d2
45023	BOITE ELECTRONIQUE d3 230V	ELECTRONIQUE BOX 230V d3
45918	BANDEAU ADHESIF AVANT TRI DIVA	STICKER TRI DIVA
45923	BANDEAU ADHESIF TWIN DIVA	STICKER TWIN DIVA
DV-126	DEVANT TWIN	PANEL-FRONT-LOWER
DV-163	JUPETTE PLASTIQUE MOD	COVER PLASTIC
DV-174	INTERRUPT. ON/OFF ROUGE 250V.	RED SWITCH
DV-175	INTERRUPT. CHAUFFE AMBRE 250V	SWITCH AMBER
DV3010	CALANDRE TWIN INOX	TWIN UPPER FRONT PANEL
DV3020	CALANDRE TWIN DIVA 2 OUVERTURE	TWIN 2 STEAM UPPER FRONT PANEL
DV3040	CHEMISE TW D INOX	TWIN STAINLESS STEEL CASING
DV3052	GRILLE DE BASSINE 2 GROUPES	2 UNITS OVERFLOW TRAY GRID
DV3054	CHAUFFE TASSES 2 GROUPES	CUP WARMER
DV3055	CHAUFFE TASSES 3 GROUPES	TRI CUP WARMER
DV3056	TOLE DE PROTECTION 2 GROUPE	2 UNIT STAINLESSSTEEL SHEET
DV3057	TOLE DE PROTECTION 3 GROUPES	3 UNIT STAINLESS STEEL SHEET
DV3059	GRILLE DE BASSINE 3 GR	3 UNITS OVERFLOW TRAY GRID
DV3060	COTE DROIT INOX	STAINLESS STEEL RIGHT SIDE
DV3070	COTE GAUCHE INOX	STAINLESS STEEL LEFT SIDE
DV3092	TOLE PROTECTION DESSOUS 2 G	2 UNIT PANEL UNDER CARRIAGE
DV3093	TOLE PROTECTION DESSOUS 3 GR	3 UNIT PANEL UNDER CARRIAGE
DV3100	CALANDRE TRI DIVA INOX	TRI UPPER FRONT PANEL
DV3110	CHEMISE TRI INOX	TRI STAINLESS STEEL CASING
DV3120	DEVANT TRI	PANEL FRONT LOWER TRI
DV7001	EMBOUT DE CALANDRE CHROME	UPPER FRONT PANEL ORNAMENTAL
DV7005	EMBOUT BASSINE GAUCHE CHROME	OVERFLOW TRAY LEFT END
DV7006	EMBOUT BASSINE DROIT CHROME	OVERFLOW TRAY RIGHT END



05-97

TWIN - TRI DIVA

110

PLANCHE/PLATE : 200

CN-661	ECROU RAPID M4 EN CAGE /1à1,6	INSERT NUT M4
DV-163	JUPETTE PLASTIQUE MOD	PLASTIC COVER
DV-164	JOINT POUR JUPETTE NSF	GASKET COVER
ID-129	VIS INOX POELIER VM 4 X 8	SCREW 4X10

CN
661

ID
129

DV
163

DV
164

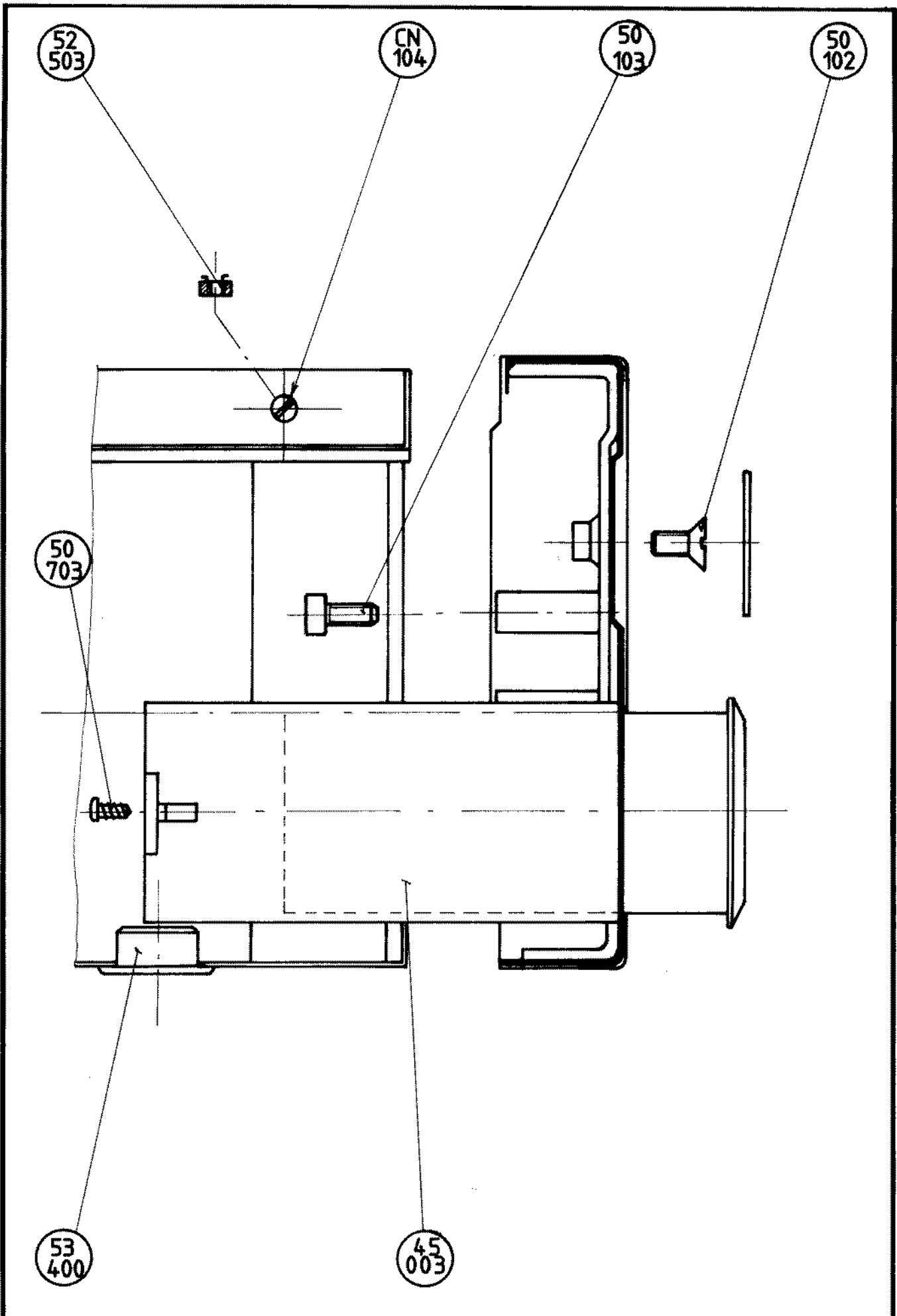
94-09

JUPETTE NSF
NSF COVER

WILMACE 200

PLANCHE/PLATE : 210

45003	PATTE DE FIXATION	FASTENING LUG
50102	VIS AUTOFORMEUSE TF M4 X 8	M4 X 8 TF SCREW
50103	VIS AUTOFORMEUSE TC M4 X 12	M4 X 12 TC SCREW
50703	VIS PARKER N6 9,5 SP CRUCIF.	PARKER SCREW
52503	ECROU EN CAGE M3 pour ep 1	M3 NUT
53400	CAPUCHON PLASTIQUE NOIR 19	BLACK PLASTIC CAP
CN-104	VIS INOX TC 3 x 12	SCREW M3 X 12



11-96

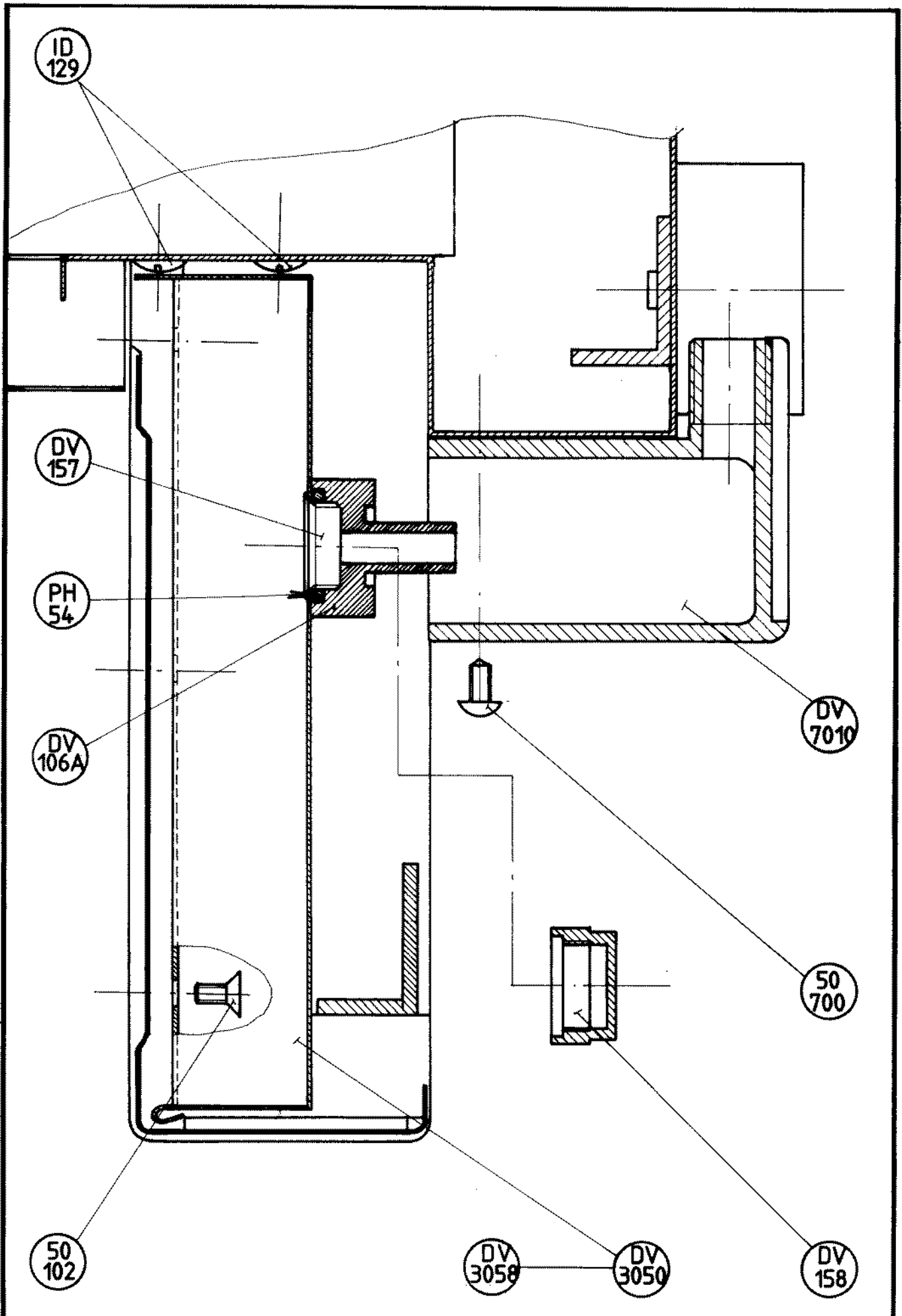
FACE AVANT
FRONT

WINICE

210

PLANCHE/PLATE : 220

50102	VIS AUTOFORMEUSE TF M4 X 8	M4 X 8 TF SCREW
50700	VIS PARKER TC 4,3x13 ACIER ZN	PARKER SCREW
DV-106A	RACCORD 3/8F	FITTING 3/8F
DV-157	RACCORD DE VIDANGE DE BASSINE	DRAIN CONNECTION
DV-158	BOUCHON 3/8 POUR VIDANGE	CAP
DV3050	BASSINE 2 GROUPES	2 UNITS OVERFLOW TRAY
DV3058	BASSINE 3 GROUPES	3 UNITS OVERFLOW TRAY
DV7010	BOITE DE VIDANGE	DRAIN BOX
ID-129	VIS INOX POELIER VM 4 X 8	SCREW 4 X 8
PH-54	JOINT TORIQUE 2,62X13,95 EPDM	GASKET 13.95 X 2.62



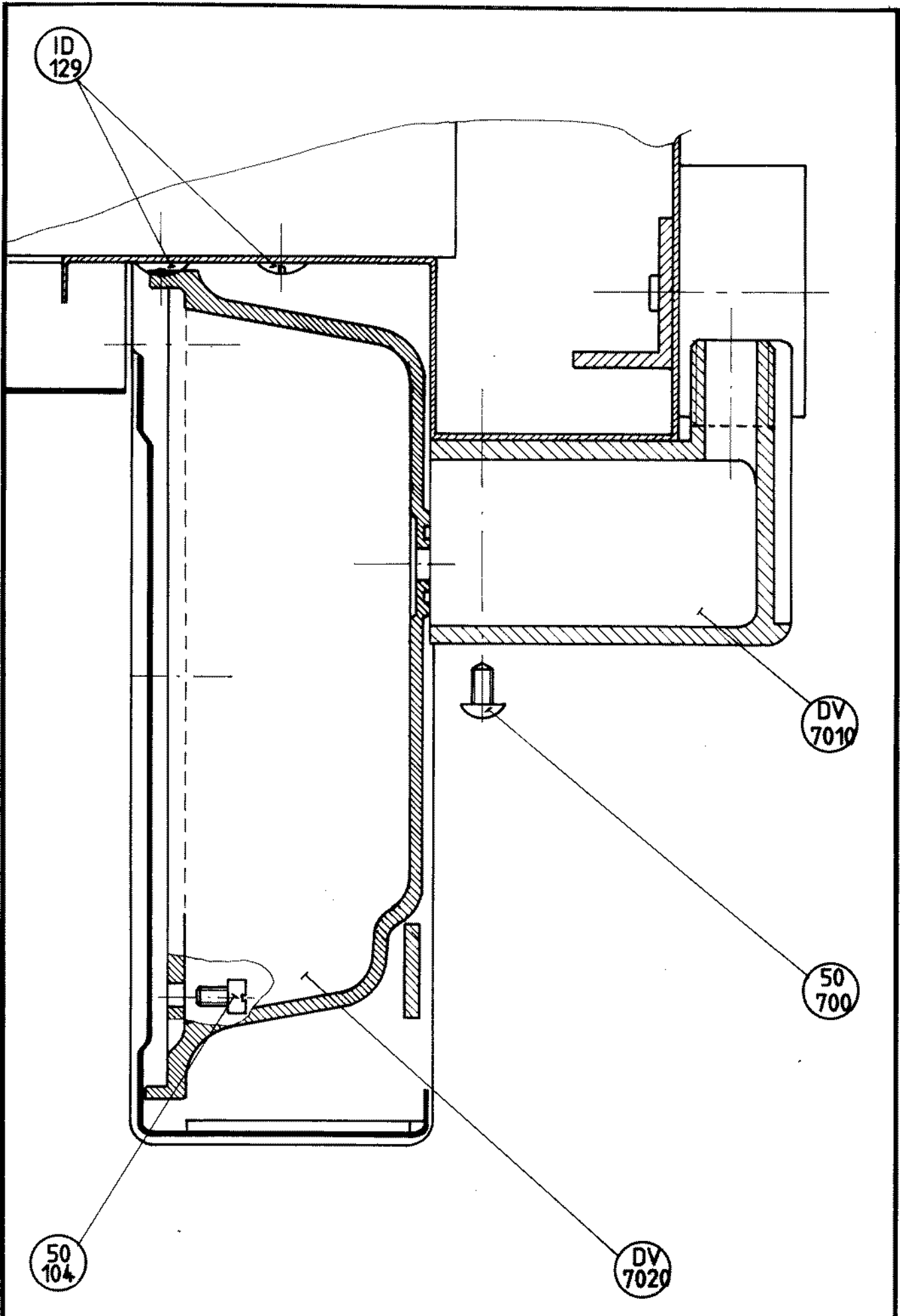
11-96

VIDANGE POUR TWIN
TWIN DRAIN

WINICE 220

PLANCHE/PLATE : 230

50104	VIS TC M4 x 8 AUTOFORMEUSE	M4 X 8 TC SCREW
50700	VIS PARKER TC 4,3x13 ACIER ZN	PARKER SCREW
DV7010	BOITE DE VIDANGE	DRAIN BOX
DV7020	BASSINE PLASTIQUE NOIRE	BLACK PLASTIC OVERFLOW TRAY
ID-129	VIS INOX POELIER M 4 X 8	SCREW M4 X 8



11-96

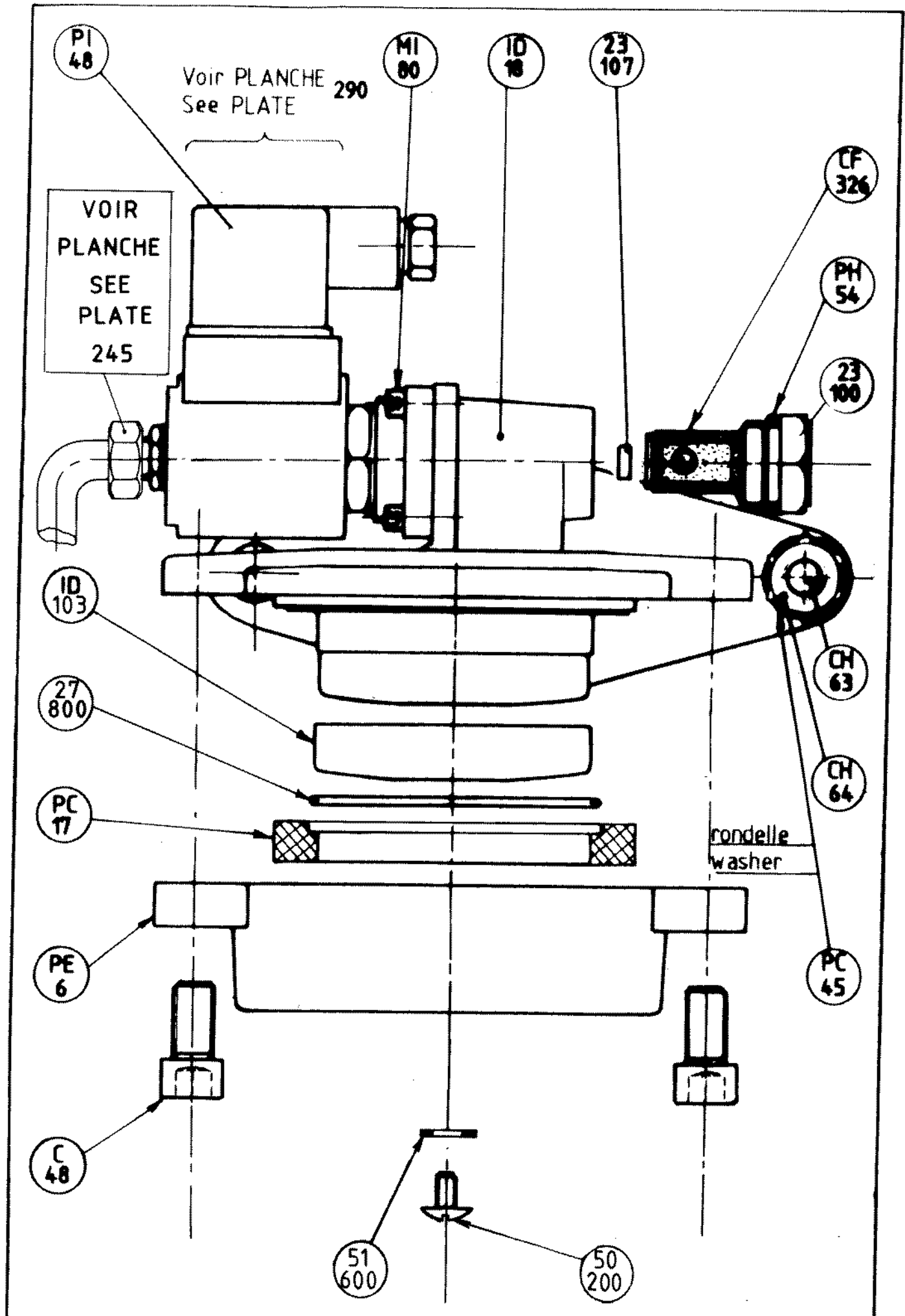
VIDANGE
DRAIN

UNIC

230

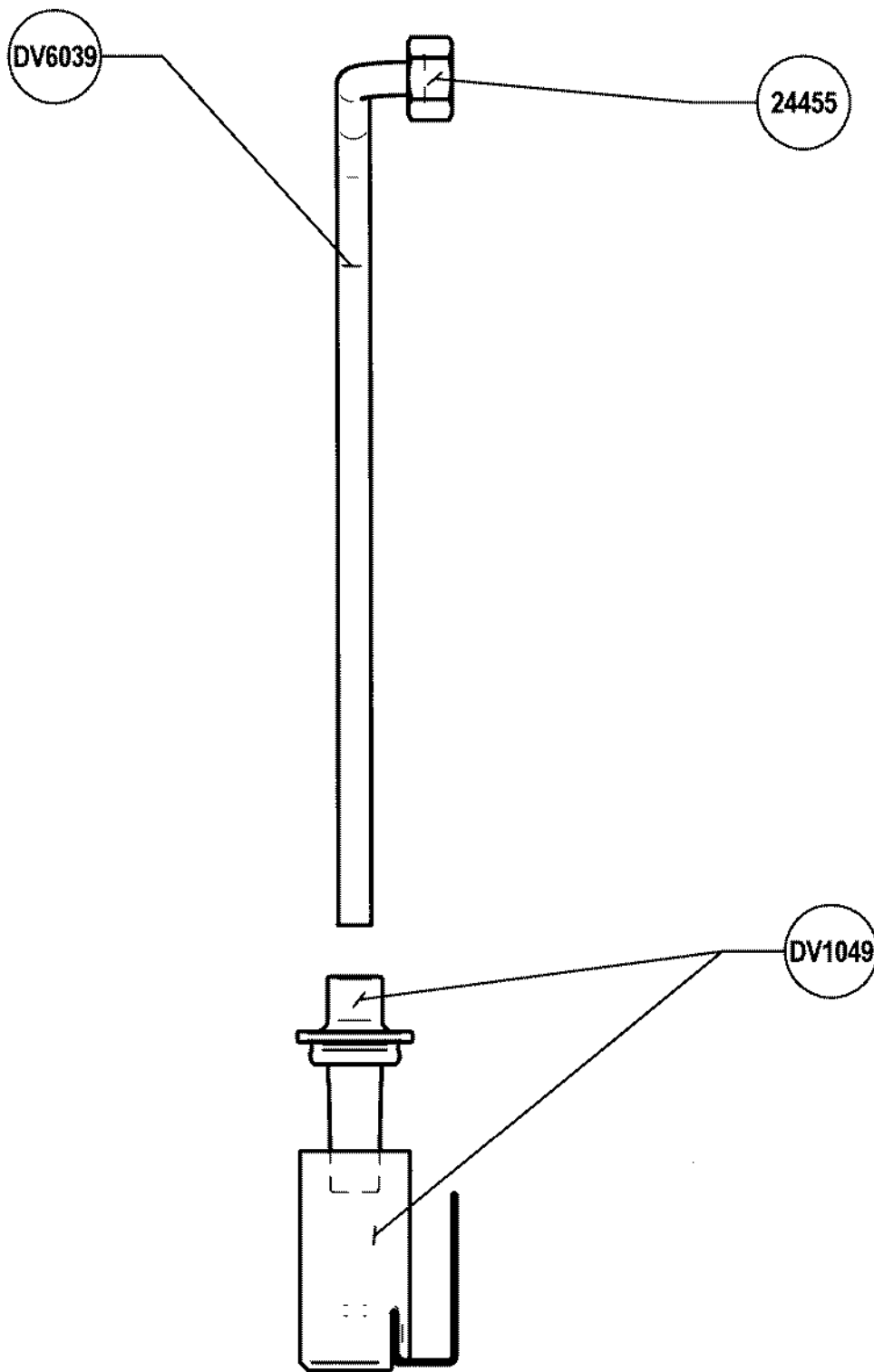
PLANCHE/PLATE : 240

23100	PORTE GICLEUR	FILTER SCREEN BODY
23107	GICLEUR DIAM:0,7	GICLUER DIAM. 0.7
27800	JOINT TORIQUE 2,62X52,07 NBR	GASKET 2,62X52,07
50200	VIS TETE POELIER M5X10 INOX	SCREW M5X10 STAINLESS STEEL
51600	RONDELLE PLATE M 5 INOX 18/10	WASHER Z5
C-48	VIS TCHC M8X16 INOX	SCREW M8 X 16
CF-326	FILTRE INOX D.int=12 H=17,5	FILTER D:12 H:17,5
CH-63	GOIJON ACIER NICKELE M10	SCREW M10 -STUD
CH-64	ECROU ACIER ZN Hu 10	NUT M10
ID-103	FILTRE TASSOIR	FILTER
ID-18	CORPS DE GROUPE INJECTION	GROUP BODY - EROGATION
MI-80	VIS TCHC M4x12 INOX	SCREW M4 X 12
PC-17	JOINT DE COUPE 57 x 75 x 9	HEAD GASKET 9mm
PC-45	RONDELLE GROVER 10	WASHER
PE-6	PORTE-COUBE LAITON CHROME	BOWL-HOLDER
PH-54	JOINT TORIQUE 2,62X13,95 EPDM	GASKET - 13.95 x 2.62
PI-48	CONNECTEUR POUR ELECTROVANNE	ELECTRICAL - SOLENOID PLUG



PLANCHE/PLATE : 245

24455	ECROU 1/8	NUT 1/8
DV1049	EMBOUT DE DECOMPRESSION	DECOMPRESSION TIP
DV6039	TUBE CUIVRE DE DECOMPRESSION	DECOMPRESSION PIPE



99/02

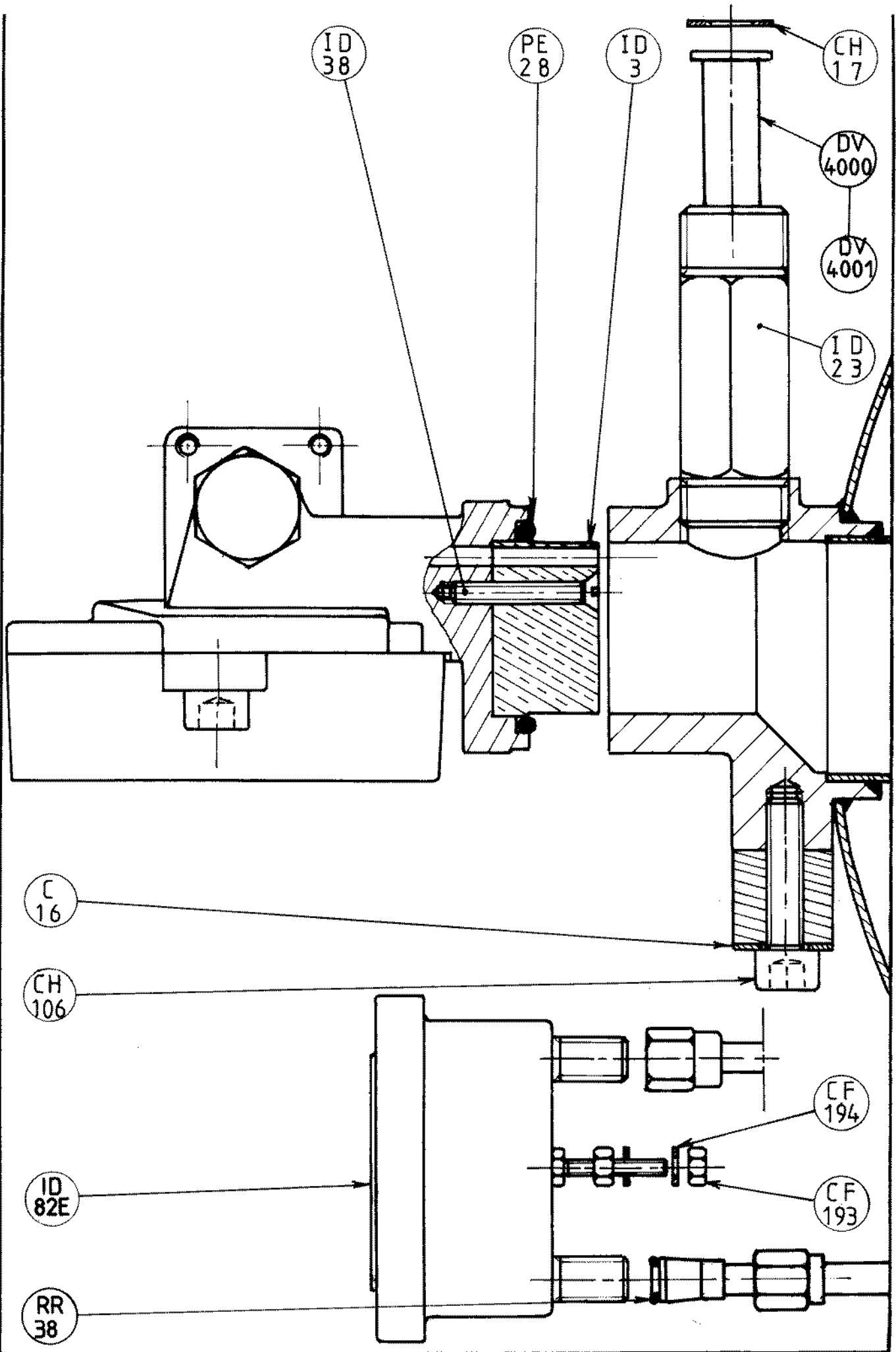
TUBE DE DECOMPRESSION
DECOMPRESSION PIPE

UNIC

245

PLANCHE/PLATE : 250

C-16	RONDELLE ACIER NIQUELE M8	WASHER 8
CF-193	ECROU LAITON Hu 5	NUT M5
CF-194	RONDELLE LAITON DE 5 MOYENNE	WASHER
CH-106	VIS ACIER TCHC 8 x 30	SCREW M8 X 30 - HEX
CH-17	JOINT CUIVRE RECUIT 1/2	WASHER - COPPER - 1/2
DV4000	TUBE TEFLON ALIM. GROUPE L:72	UNIT FEEDING TUBE
DV4001	TUBE TEFLON ALIM. GROUPE L:60	UNIT FEEDING TUBE
ID-23	RACCORD ALIM.1/2M-M	FITTING 1/2-1/2
ID-3	ISOLANT TEFLON BLANC ep:21mm	INSULATOR
ID-38	VIS INOX TF 4 x 30	M4X30 ST.STEEL C.S.HEAD SCREW
ID-82E	MANOMETRE DOUBLE 3,5 x 20 B.	MANOMETER
PE-28	JOINT TORIQUE 3,53X36,09 FKM	GASKET - 36.09 x 3.53
RR-38	JOINT TORIQUE 1,78X4,48 EPDM	GASKET - 4,48 X 1,78



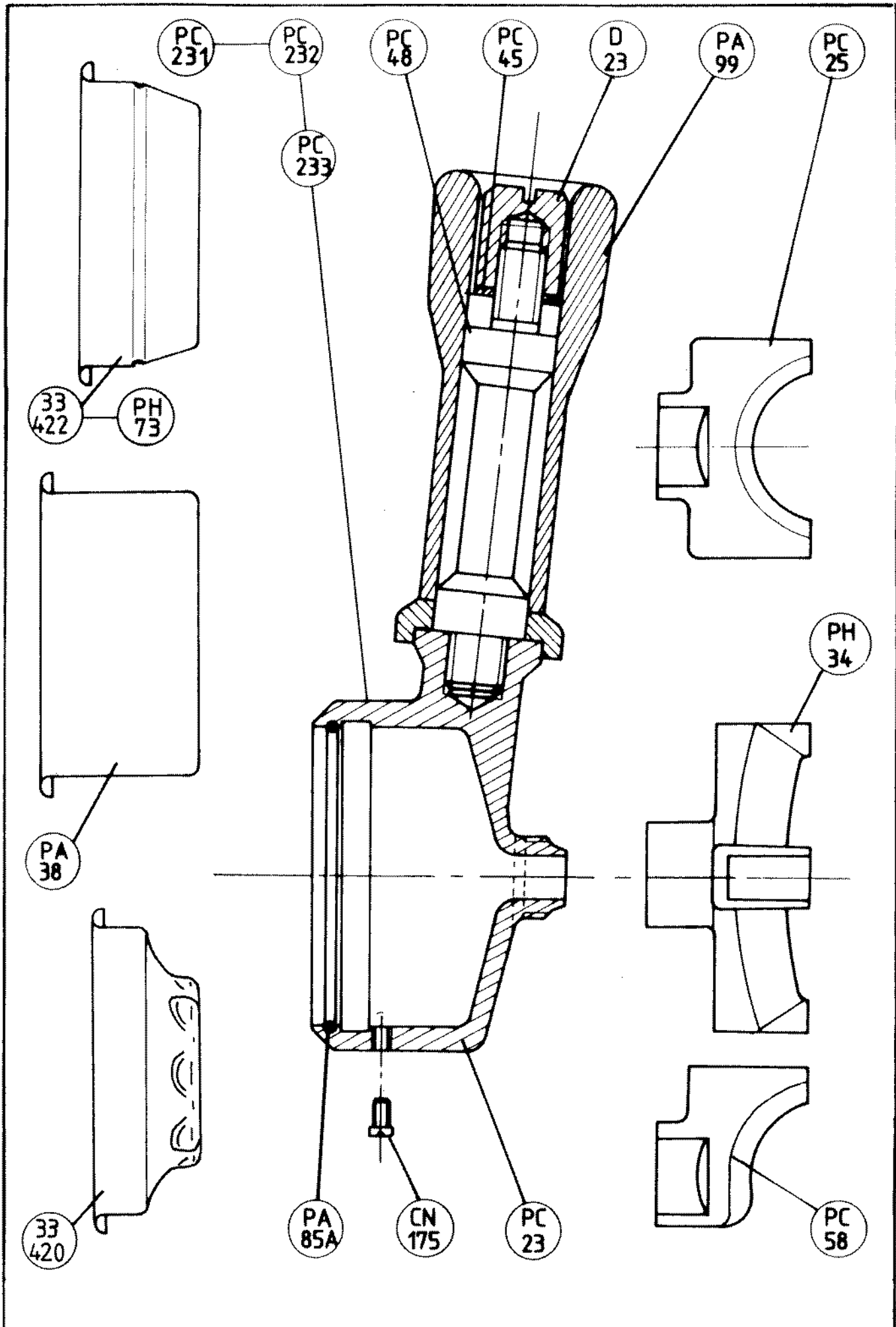
10-88

GROUPE ET MANOMETRE
UNIT AND MANOMETER

UNICE 250

PLANCHE/PLATE : 280

33420	FILTRE 1 TASSE UNIC OCTOGONAL	FILTER 1 CUP
33422	FILTRE 2 TASSES 620 PERFO	FILTER 2 CUP
CN-175	VIS TC M3x5 INOX	SCREW M3 X 5
D-23	ECROU M10 INOX BORGNE	NUT M10
PA-38	FILTRE TROIS TASSES	3 CUP FILTER
PA-85A	RESSORT DE COUPE DIAM:1.3	FILTER SPRING DIAM:1.3
PA-99	POIGNEE DE COUPE	HANDLE
PC-23	COUPE NUE SANS POIGNEE NI RES	BARE FILTER HOLDER
PC-231	COUPE UNE TASSE COMPLETE	WHOLE ONE CUP FILTER-HOLDER
PC-232	COUPE DEUX TASSES COMPLETE	WHOLE TWO CUP FILTER HOLDER
PC-233	COUPE TROIS TASSES COMPLETE	WHOLE THREE CUP FILTER HOLDER
PC-25	BEC 2 TASSES CHROME	2 CUP SPOUT
PC-45	RONDELLE GROVER 10	WASHER
PC-48	BARRE ACIER P/POIGNEE COUPE	STEEL SQUARE FOR HANDLE
PC-58	BEC UNE TASSE CHROME	1 CUP SPOUT
PH-34	BEC 3 TASSES CHROME	3 CUP SPOUT
PH-73	FILTRE DEUX TASSES	2 CUP FILTER



99/02

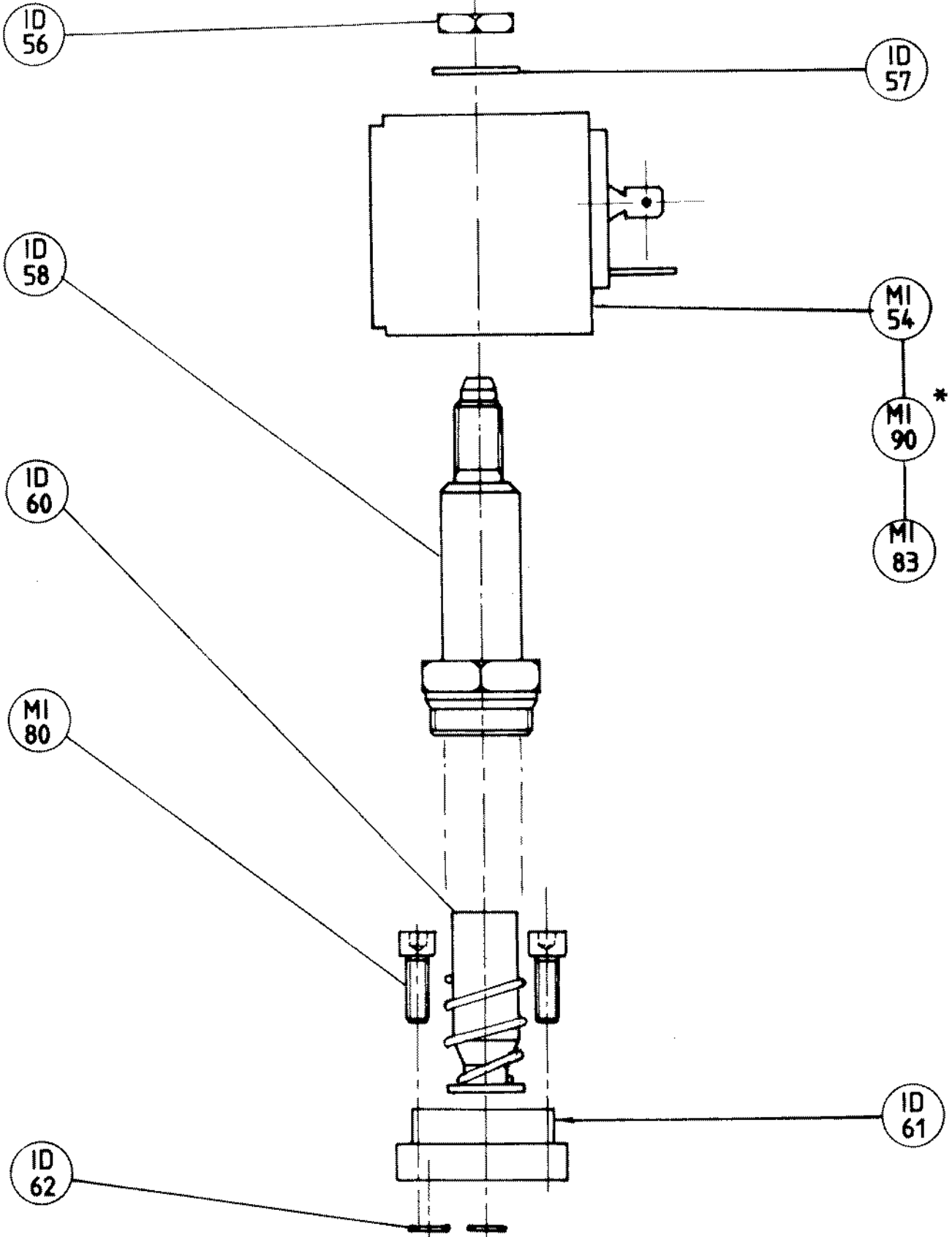
PORTE-FILTRE
FILTER HOLDER

WINICE

280

PLANCHE/PLATE : 290

ID-56	ECROU D'ELECTROVANNE	NUT
ID-57	RONDELLE DE FREIN	WASHER
ID-58	CORPS DEPHASEUR EV. O.D.E.	SOLENOID CASING - GROUP
ID-60	NOYAU ELECTROVANNE O.D.E. NM	SOLENOID PISTON - GROUP
ID-61	EMBASE D'ELECTROVANNE O.D.E	SOLENOID BODY - GROUP
ID-62	JOINT TORIQUE POUR EV PI-45	SOLENOID O'RING - GROUP
MI-54	BOBINE ELECTROV.8W ODE 220/50	ELECTROVALVE COIL 220V-50HZ
MI-80	VIS TCHC M4x12 INOX	SCREW M4 X 12
MI-83	BOBINE EV O.D.E 220V 60HZ UL	ELECTROVALVE COIL 220V-60HZ
MI-90	BOBINE EV O.D.E 110V60 UL	ELECTROVALVE COIL 110V60Hz
PI-45	ELECTROVANNE 3V 220V50HZ	WHOLE ELECTROVALVE 220V 50HZ
PI-45A	ELECTROV.3V 110V60Hz UL	WHOLE ELECTROVALVE 110V 60HZ
PI-45B	ELECTROVANNE 3V. 220V60HZ UL	WHOLE ELECTROVALVE 220V-60HZ
PI-45X	ELECTROVANNE 3V D:1 SANS BOBIN	ELECTROVALVE 3W WITHOUT COIL

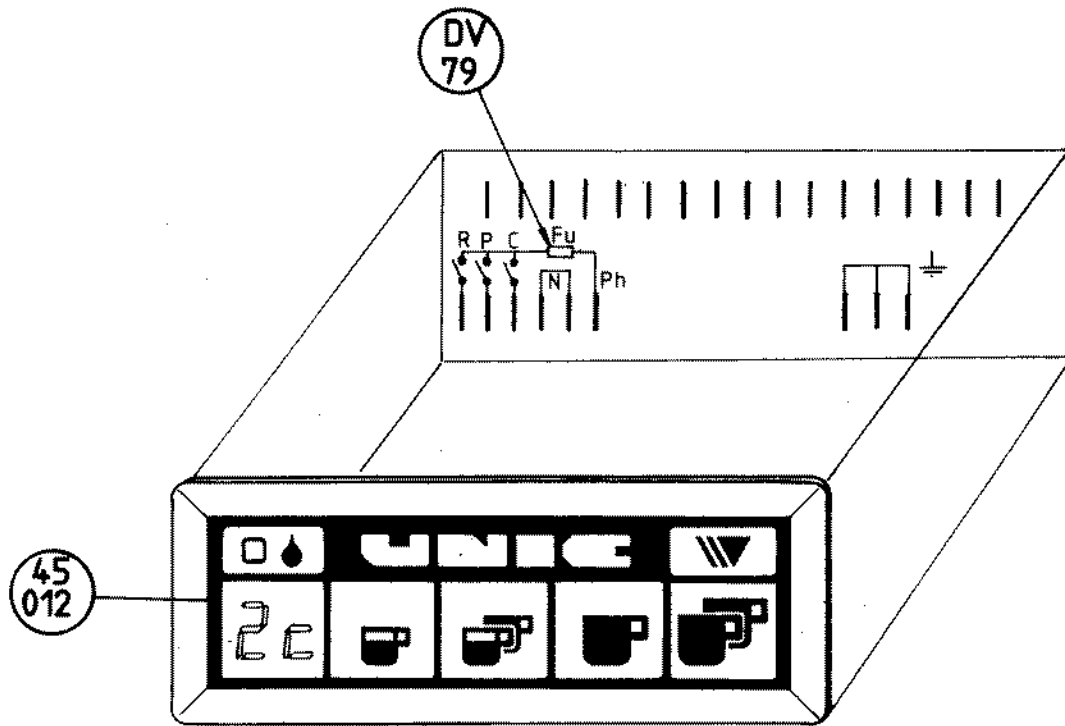


ELECTROVANNE COMPLETE	220V - 50 Hz	PI-45
COMPLETE ELECTROVALVE	220V - 60 Hz	PI-45B
	110V - 60 Hz	PI-45A *

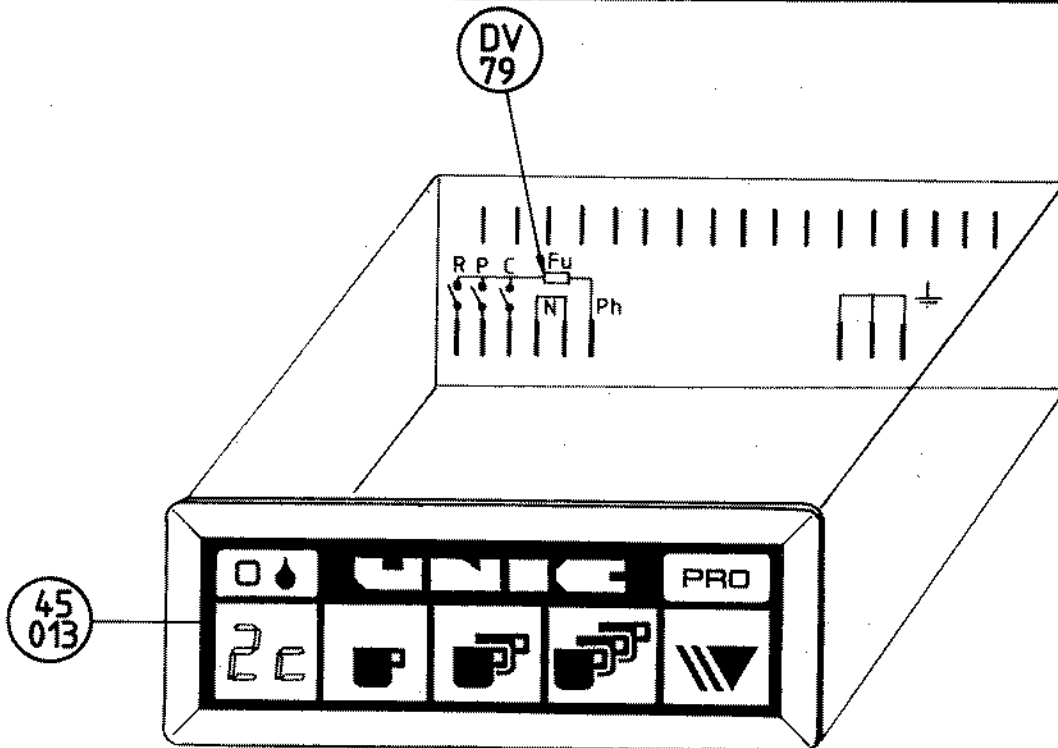
*110V uniquement DIVA et PHENIX / 110V DIVA and PHENIX ONLY

PLANCHE/PLATE : 310

45006	BOITE ELECTRONIQUE d2 115V	ELECTRONIC BOX 115V d2
45007	BOITE ELECTRONIQUE d3 115V	ELECTRONIC BOX 115V d3
45012	CLAVIER TYPE d2 2 TASSES	KEY BOARD -d2 2 CUP
45013	CLAVIER TYPE d3 3 TASSES	KEY BOARD -d3 3 CUP
45022	BOITE ELECTRONIQUE d2 230V	ELECTRONIC BOX 230V d2
45023	BOITE ELECTRONIQUE d3 230V	ELECTRONIC BOX 230V d3
DV-79	FUSIBLE TTT 5A 125V RETARDE	FUSE 5A 125V DELAYED



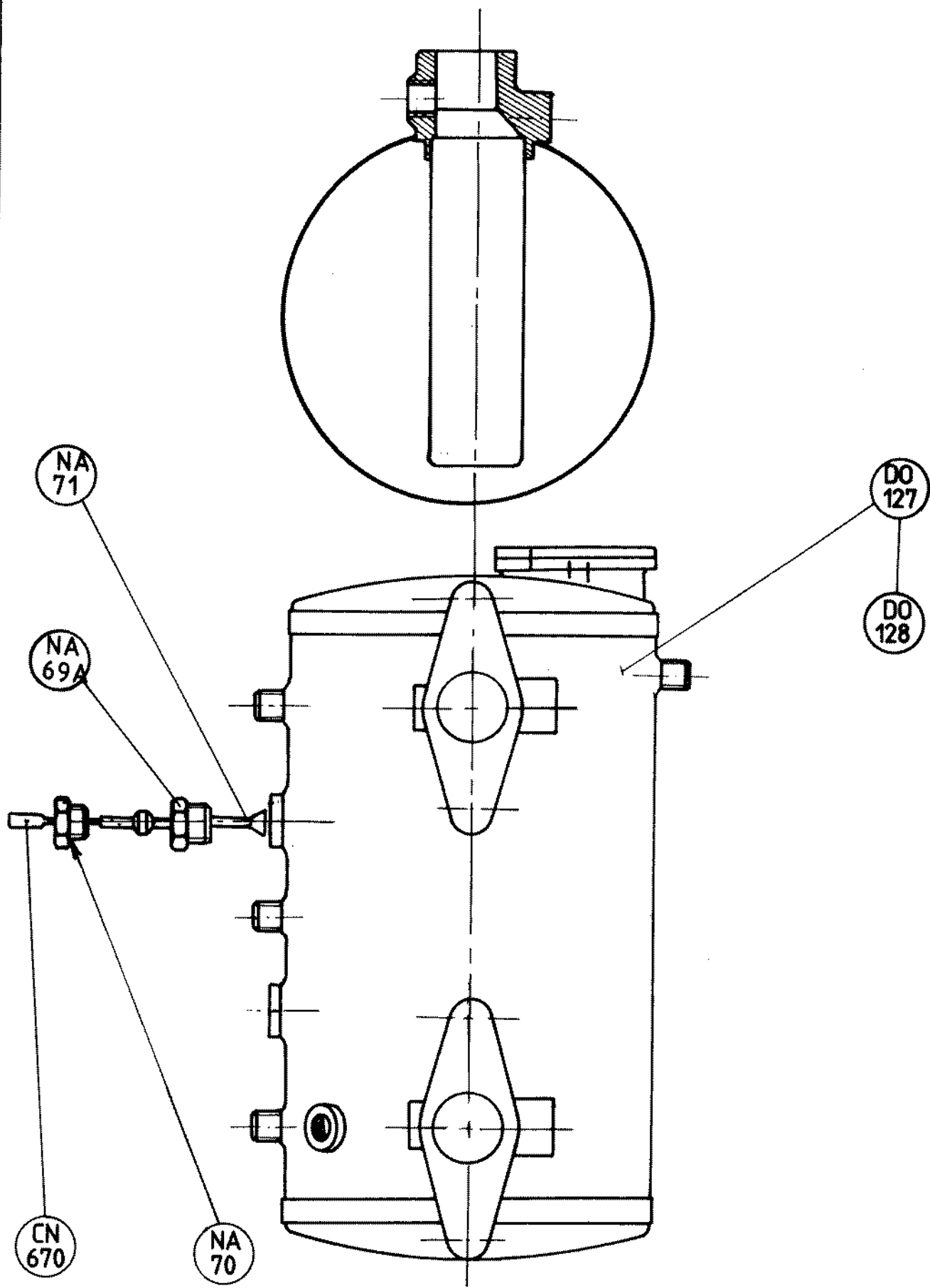
BOITE ELECTRONIQUE TYPE d2 110V/ ELECTRONIC BOX d2 110V: 45006
 BOITE ELECTRONIQUE TYPE d2 220V/ ELECTRONIC BOX d2 220V: 45022



BOITE ELECTRONIQUE TYPE d3 110V / ELECTRONIC BOX d3 110V : 45007
 BOITE ELECTRONIQUE TYPE d3 220V/ ELECTRONIC BOX d3 220V : 45023

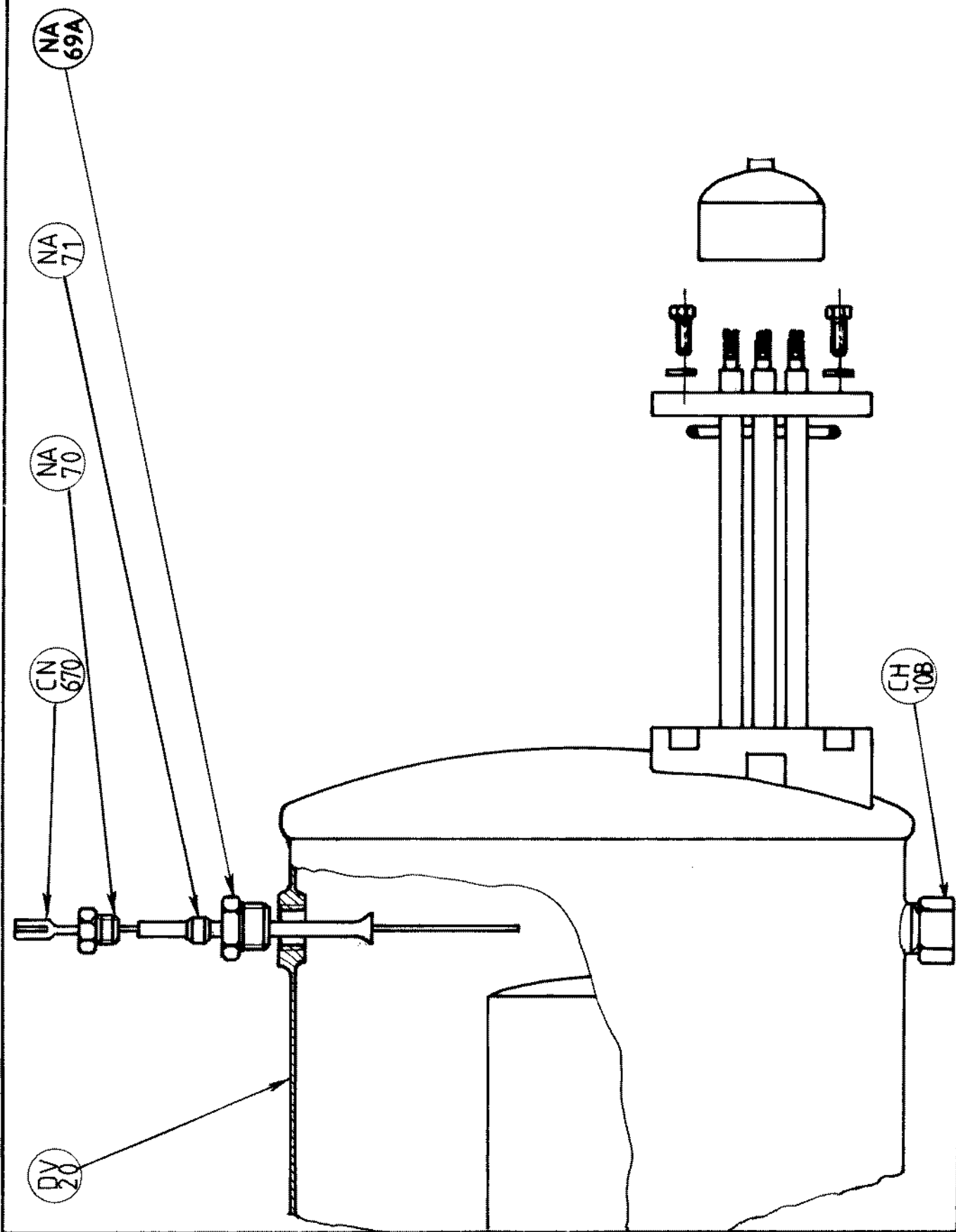
PLANCHE/PLATE : 320

CN-670	SONDE NIVEAU BAS INOX 2,5X165	LEVEL PROBE
DO-127	CHAUDIERE INJECTION 2 GROUPES	2 UNIT BOILER
DO-128	CHAUDIERE INJECTION 3 GROUPES	3 UNIT BOILER
NA-69A	PORTE SONDE EN LAITON	PROBE HOLDER CONNECTION
NA-70	BLOCAGE ELECTRODE NIVEAU AUTO	LEVEL PROBE COMPRESSION NUT
NA-71	PORTE-ELECTRODE EN TEFLON	LEVEL PROBE INSULATION



PLANCHE/PLATE : 330

CH-10B	ECROU BORGNE 3/8 DE CHAUDIERE	NUT
CN-670	SONDE NIVEAU BAS INOX 2,5X165	LEVEL PROBE
DV-20	CHAUDIERE FINIE NUE PR "DIVA"	BOILER
NA-69A	PORTE SONDE EN LAITON	PROBE HOLDER CONNECTION
NA-70	BLOCAGE ELECTRODE NIVEAU AUTO	LEVEL PROBE COMPRESSION NUT
NA-71	PORTE-ELECTRODE EN TEFLON	LEVEL PROBE INSULATION



12-87

CHAUDIÈRE
BOILER

UNICE 330

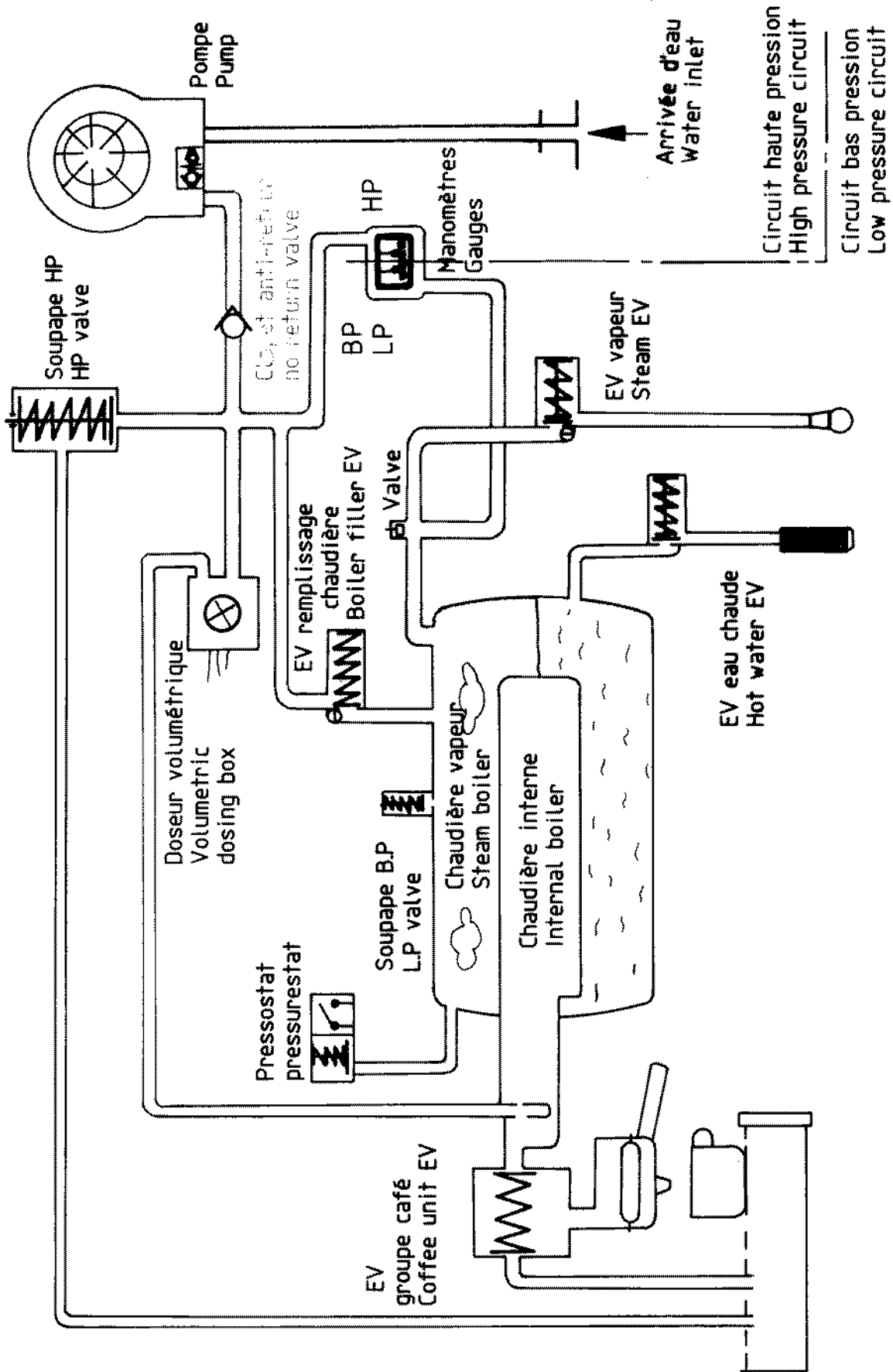
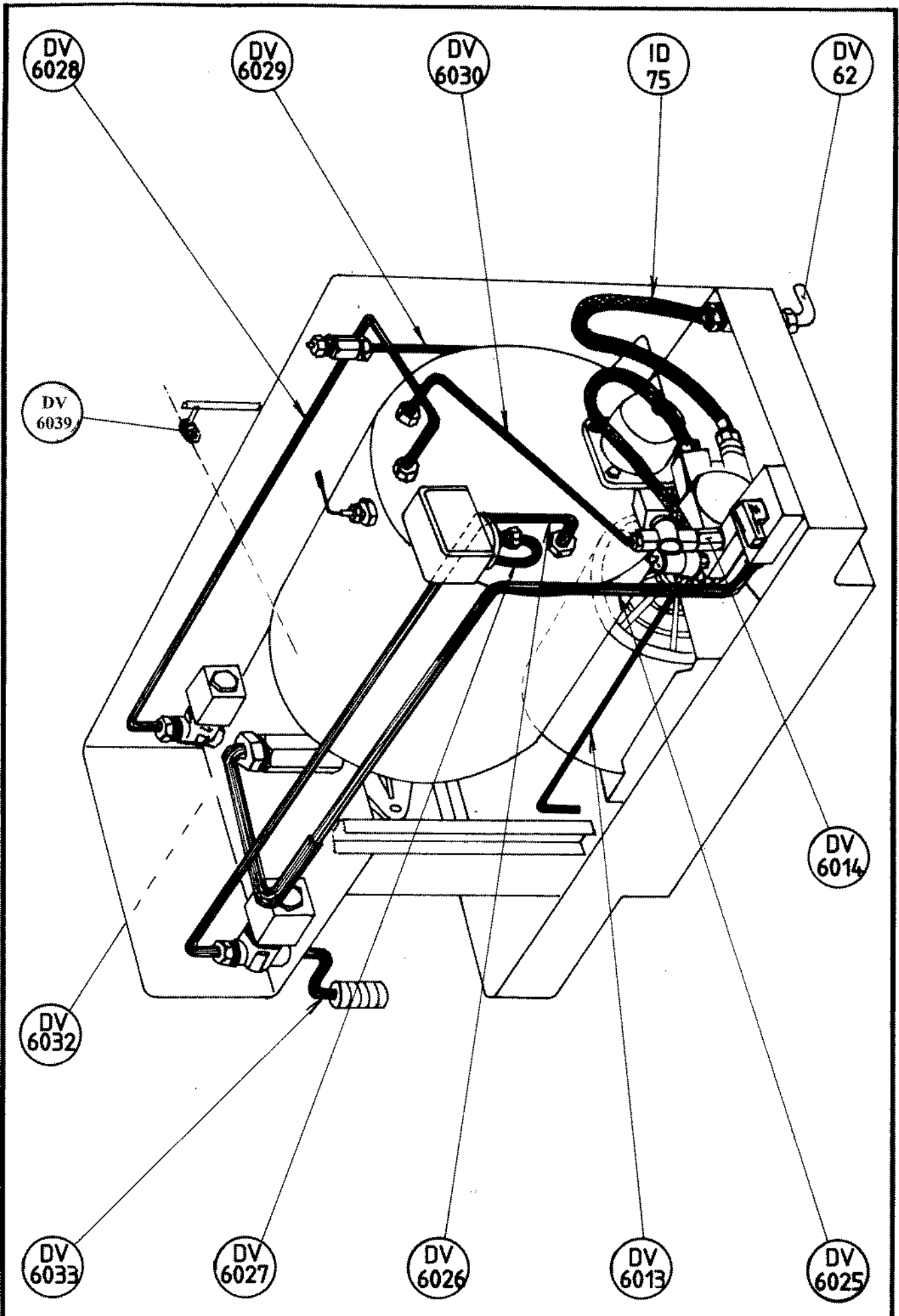
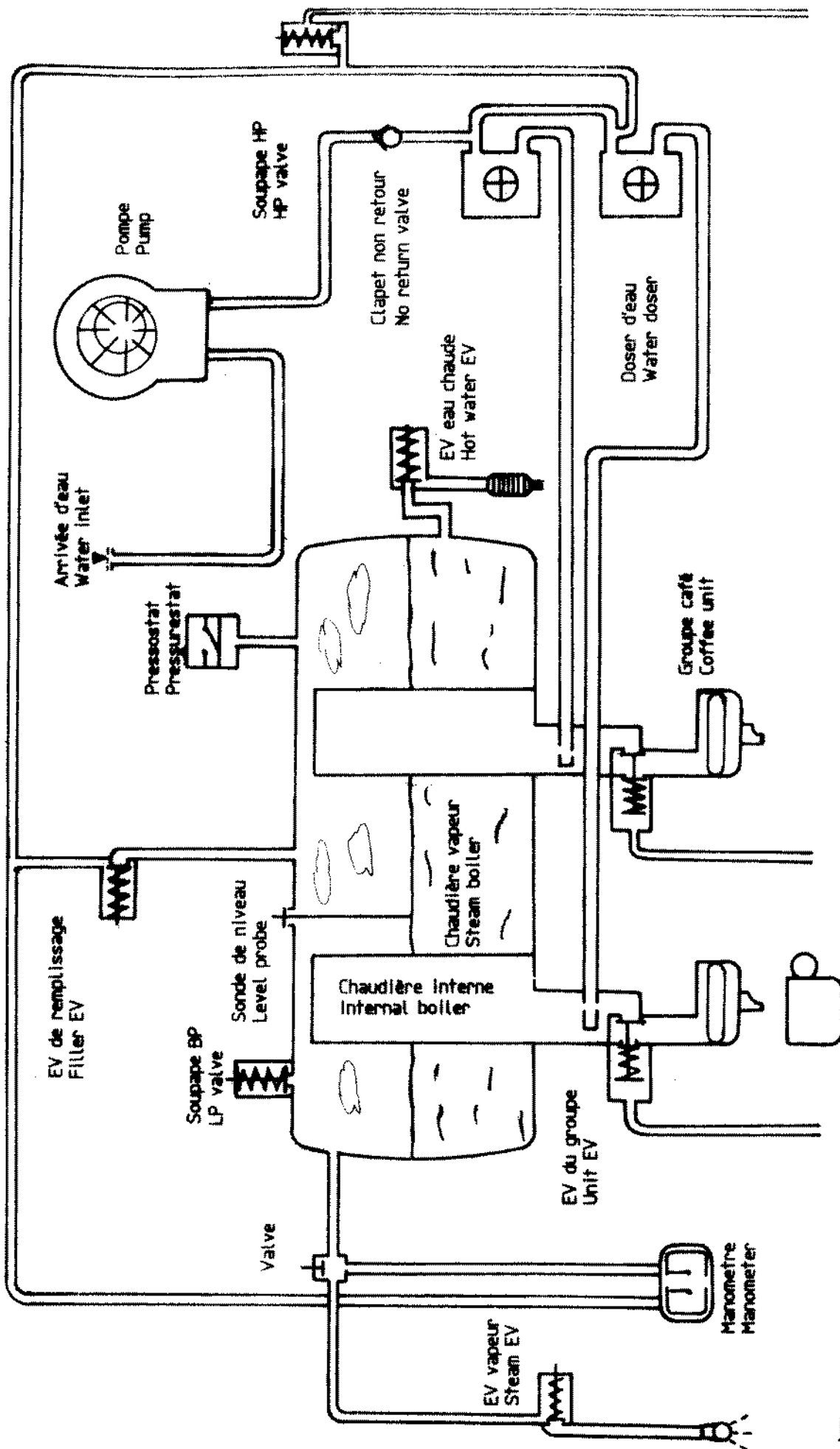


PLANCHE 350 PLATE

MODELE / MODEL DIVA

REF. Ref.	DESIGNATION Designation	QUANTITE Quantity
DV62	Raccord coude 3/8 chrome Pipe - 3/8 elbow x Hose	1
DV6013	Tube cuivre soupape HP Pipe - valve exhaust	1
DV6014	Tube manomètre HP Pipe - manometer HP	1
DV6039	Tube décompression Pipe - group discharge	1
DV6025	Tube d'alimentation groupe Pipe - unit filling	1
DV6026	Tube EV eau chaude Pipe - hot water valve	1
DV6027	Tube pressostat Pipe - pressurestat	1
DV6028	Tube cuivre valve EV vapeur Pipe - steam valve	1
DV6029	Tube manomètre BP Pipe - manometer LP	1
DV6030	Tube d'alimentation chaudière Pipe - boiler filling	1
DV6032	Tube sortie vapeur Pipe - steam outlet	1
DV6033	Tube sortie eau Pipe - hot water outlet	1
ID75	Tube flexible armé inox Pipe - flexible 3/8F	2





93-05

CIRCUIT HYDRAULIQUE TWIN DIVA
 HYDRAULIC CIRCUIT TWIN DIVA

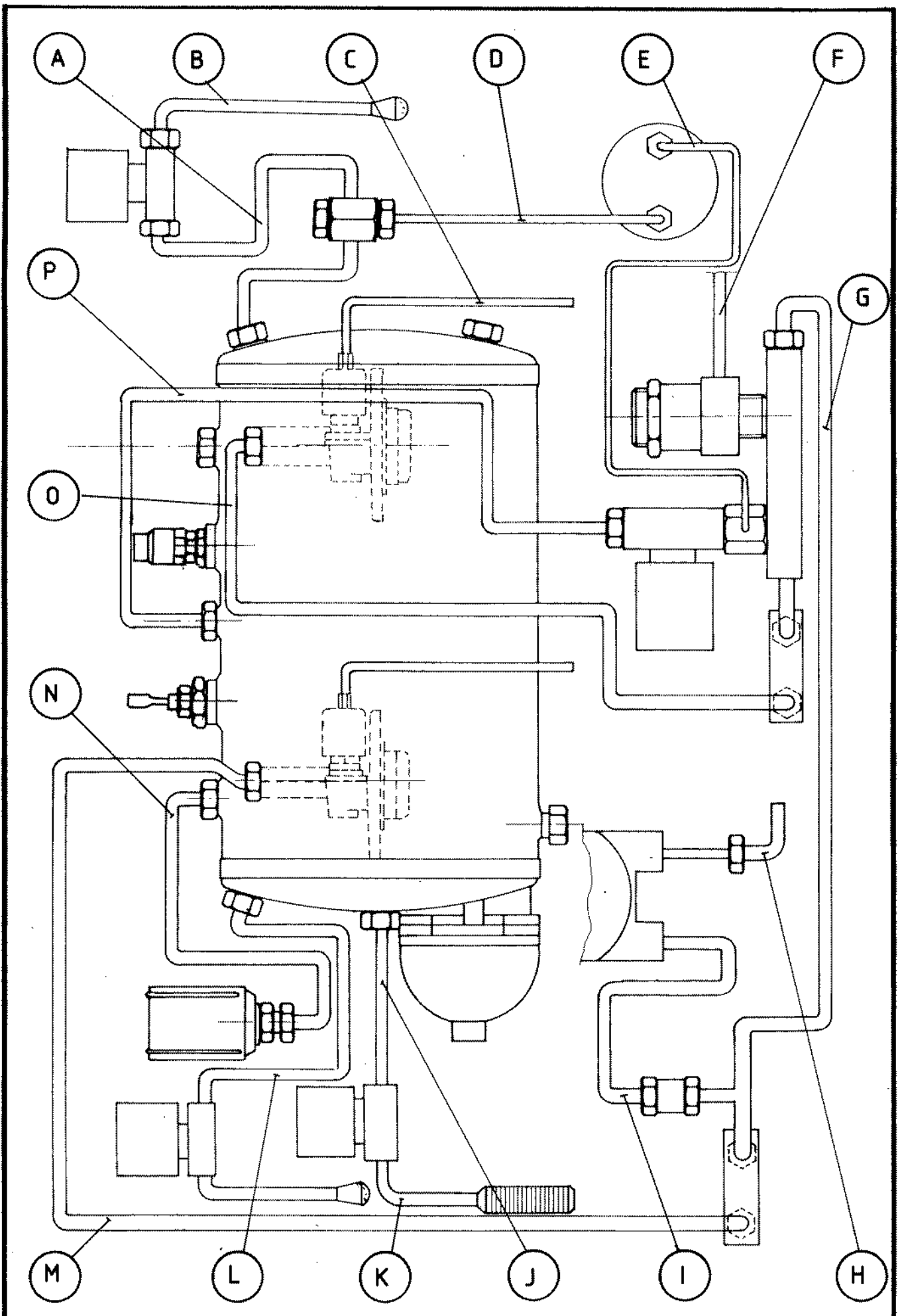


360

PLANCHE 370 PLATE
MODELE / MODEL TWIN DIVA

REP Rep.	REF. Ref.	DESIGNATION Designation	QUANTITE Quantity
A	DV6016	Tube cuivre valve vapeur Pipe - steam valve	1
B	DV6032	Tube sortie vapeur Pipe - steam outlet	1 (2)*
C	DV6039	Tube décompression Pipe - group discharge	2
D	DV6015	Tube manomètre BP Pipe - manometer LP	1
E	DV6014	Tube manomètre HP Pipe - manometer HP	1
F	DV6013	Tube cuivre soupape HP Pipe - valve exhaust	1
G	DV6012	Tube d'alimentation doseur Pipe - doser filling	1
H	DV62	Raccord coude 3/8 chrome Pipe - 3/8 elbow x Hose	1
I	CN625 ID-75	Tube flexible Flexible pipe Tube flexible Flexible pipe	1 1
J	DV6020	Tube EV eau chaude Pipe - hot water EV	1
K	DV6033	Tube sortie eau Pipe - hot water outlet	1
L	DV6021*	Tube d'alimentation 2ème vapeur * Pipe - 2nd steam valve	1
M	DV6010	Tube d'alimentation 1er groupe Pipe - 1st unit filling	1
N	DV6019	Tube pressostat sec Pipe pressurestat	1
O	DV6011	Tube d'alimentation 2ème groupe Pipe - 2nd unit filling	1
P	DV6018	Tube remplissage chaudière Boiler filling pipe	1

* En option



11-96

TUBES
TUBES

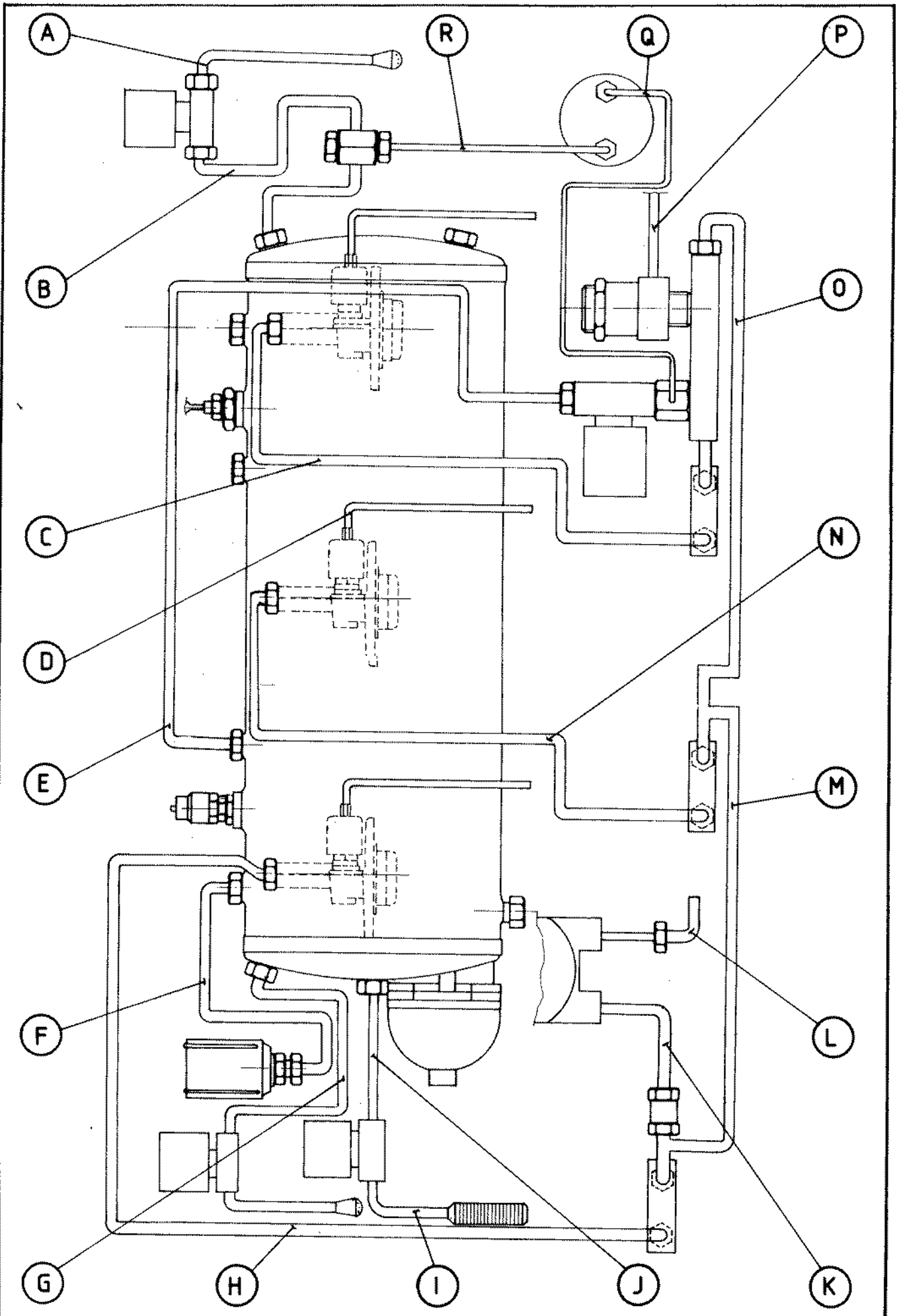
TWIN DIVA

WUIC

370

PLANCHE 375 PLATE
MODELE / MODEL TRI DIVA

REP Rep.	REF. Ref.	DESIGNATION Designation	QUANTITE Quantity
A	DV6032	Tube sortie vapeur Pipe-steam outlet	2
B	DV6044	Tube cuivre valve vapeur Pipe -steam valve	1
C	DV6043	Tube d'alimentation 1ème groupe Pipe -1st unit filling	1
D	DV6039	Tube décompression Pipe-group discharge	3
E	DV6045	Tube remplissage chaudière Boiler filling pipe	1
F	DV6019	Tube pressostat sec Pipe pressurestat	1
G	DV6046	Tube d'alimentation 2ème vapeur Pipe - 2nd steam valve	1
H	DV6041	Tube d'alimentation 3ème groupes Pipe - 3rd unit filling	1
I	DV6033	Tube sortie eau Pipe - hot water outlet	1
J	DV6047	Tube EV eau chaude Pipe - hot water EV	1
K	CN-625	Tube flexible Flexible pipe	2
L	DV-62	Raccord coude 3/8 chrome Pipe-3/8 elbow x Hose	1
M	DV6049	Tube d'alimentation doseur Pipe-doser filling	1
N	DV6042	Tube d'alimentation 2ème groupe Pipe - 2nd unit filling	1
O	DV6048	Tube d'alimentation doseur Pipe-doser filling	1
P	DV6013	Tube cuivre soupape HP Pipe-valve exhaust	1
Q	DV6014	Tube manomètre HP Pipe-manometer HP	1
R	DV6015	Tube manomètre BP Pipe-manometer LP	1



05-97

TUBES
TUBES TRI DIVA

UNIC

375

PLANCHE/PLATE : 420

20951	RACCORD 3/8M-3/8M	3/8M 3/8M FITTING
CH-16	JOINT CUIVRE RECUIT 3/8	WASHER - COPPER - 3/8
CN-544	RONDELLE ACIER ZN 17 x 28 x 2	WASHER
DV-08	PRESSE ETOUPE UL COUL= NOIRE	STRAIN RELIEF
DV-09	CONTRE ECROU LAITON NICKELE	STRAIN RELIEF NUT
DV-62	RACCORD COUDE 3/8 CHROME	PIPE - 3/8 ELBOW x HOSE
NA-18	ECROU LAITON 3/8 6 mm	3/8 NUT
PH-83	JOINT TORIQUE 9,62 x 2,62	GASKET - TEFLON 9,62 x 2,62

CH
16

DV
9

DV
8

PH
83

20
951

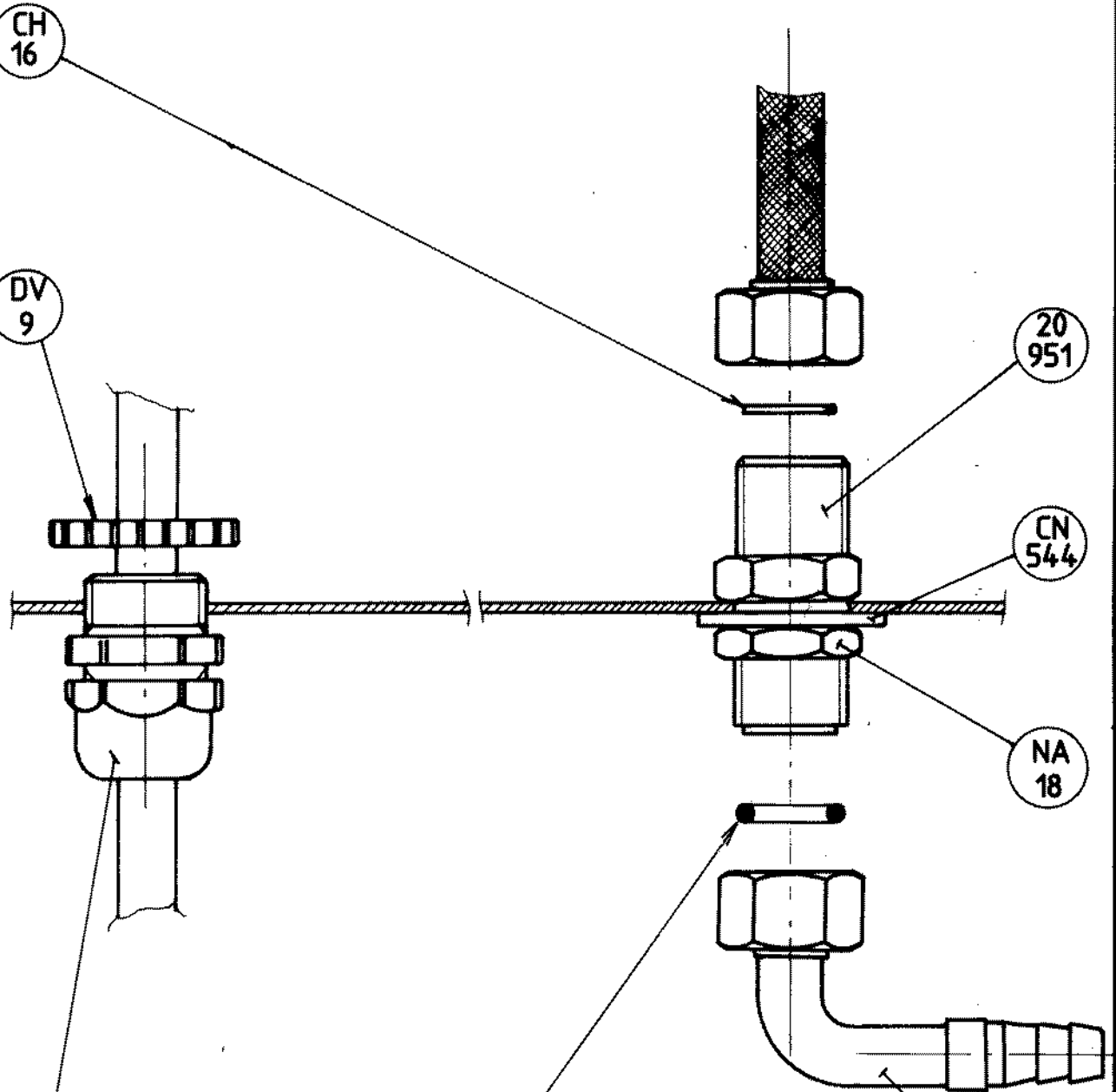
CN
544

NA
18

DV
62

09-96 ENTRÉE D'EAU
WATER FEEDING

UNIC 420



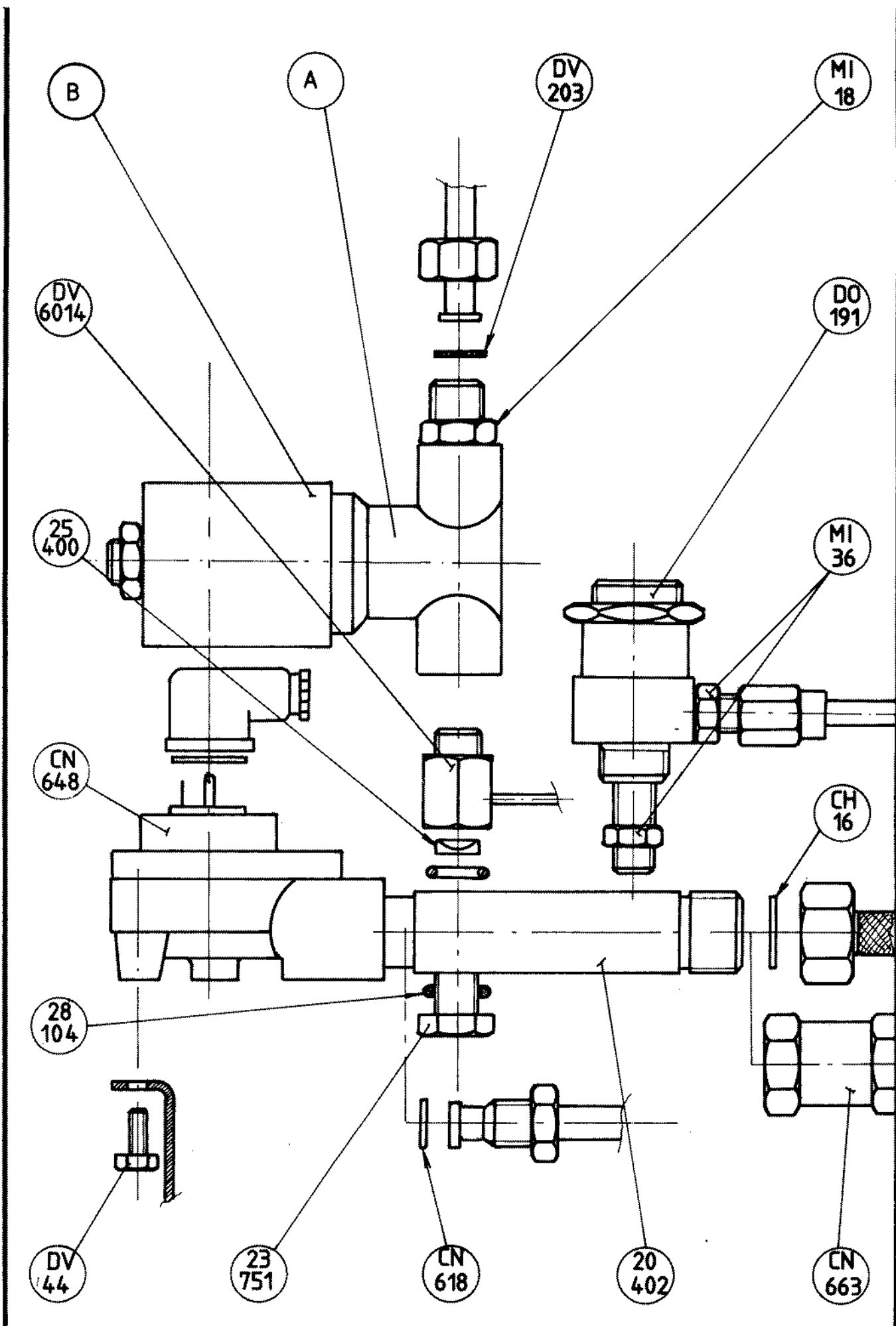
PLANCHE/PLATE : 450

A) ELECTROVANNE COMPLETE / WHOLE ELECTROVALVE

CN-631	ELECTROVANNE 2V REGL.220V50HZ	ELECTROVANNE 2W ADJ 220-50Hz
CN-631B	ELECTROVANNE REG 220-60/208-50	ELECTROVALVE ADJ.220-60/208-50
CN-631C	ELECTROVANNE 2V REGL 110V60HZ	WHOLE FLOW ADJ. EV 110V60HZ

B) BOBINE D'ELECTROVANNE / ELECTROVALVE COIL

CN-245B	BOBINE ELECTROV. 2V 220V50HZ	ELECTROVALVE COIL 220V-50HZ
CN-245C	BOBINE EV 2V 220-60/208-50	EV COIL 2W 220-60/208-50
MI-78	BOBINE EV.110V 60HZ/100V 50HZ	SOLENOID COIL - 1 WAY 110V60H
20402	RACCORD NOURRICE 3/8M-1/4M	FITTING 3/8M-1/4M
23751	AXE DE BANJO 1/8	BANJO SCREW
28104	JOINT TORIQUE 2X9,5 FKM 80SH	GASKET 2X9,5
CH-16	JOINT CUIVRE RECUIT 3/8	WASHER - COPPER - 3/8
CN-618	JOINT CUIVRE 11,4 x 6,2 x 1	GASKET - 11.4 x 6.2 X 1
CN-648	COMPTEUR VOLUMETRIQUE	WHOLE W.DOSING DEVICE F UNIT
CN-663	CLAPET ANTI RETOUR COMPACT	VALVE - NON-RETURN
DO-191	SOUPAPE H.P. COMPLETE	COMPLET H.P. VALVE
DV-203	JOINT PLAT CUIVRE 1/4 D:2mm	WASHER 1/4 D:2
DV6014	TUBE CUIVRE MANOMETRE HP	PIPE HP MANOMETER
DV-44	VIS TH M4X10 ACIER	SCREW M4x10
MI-18	RACCORD MM 1/4 - 1/8 G.	FITTING - 1/8 x 1/4
MI-36	RACCORD 1/8M 1/8M	CONNECTION 1/8

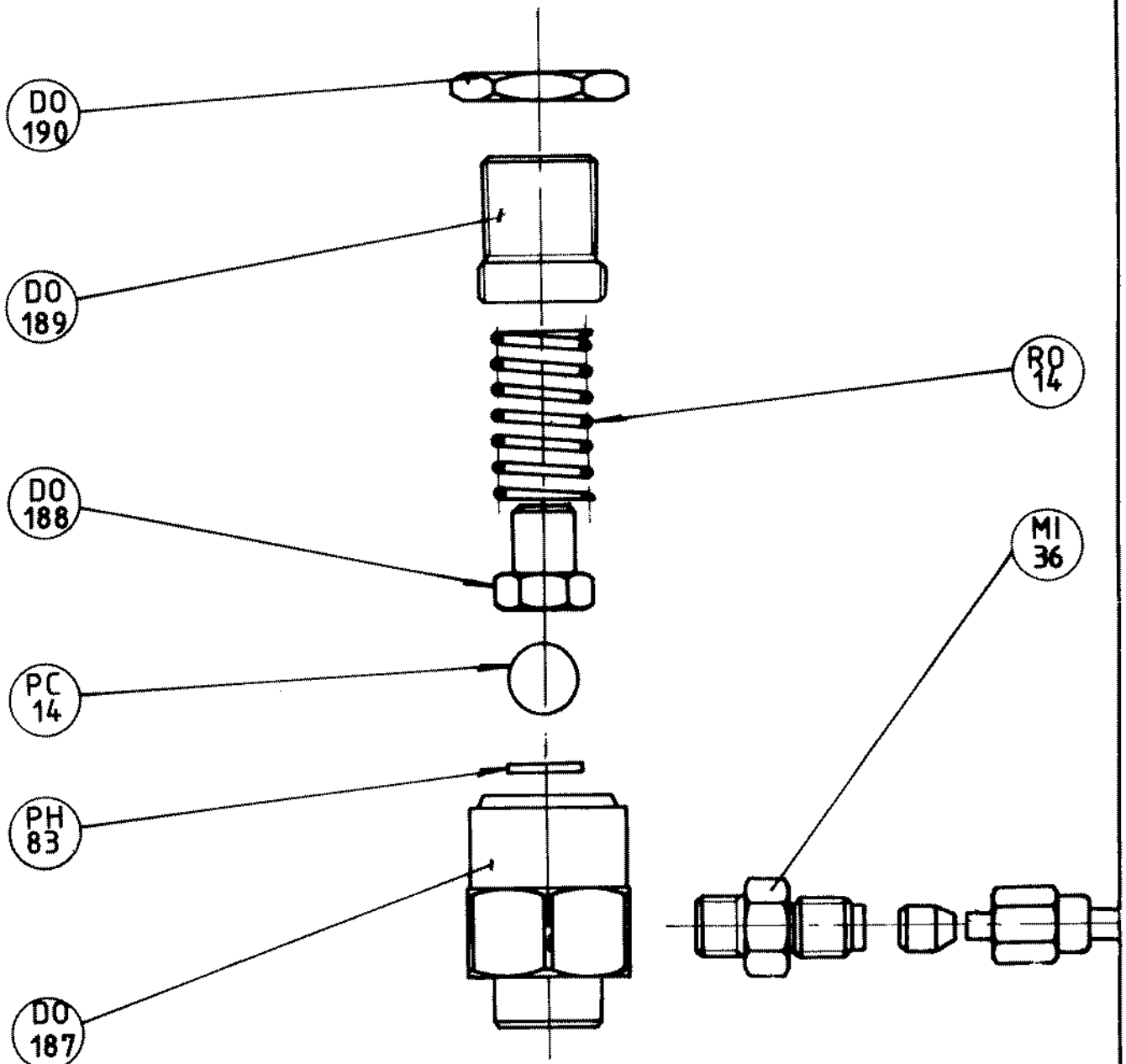


97-12 ELECTROVANNE DE REMPLISSAGE
FEEDING ELECTROVALVE

UNICE 450

PLANCHE/PLATE : 455

DO-187	CORPS DE SOUPAPE	VALVE BODY
DO-188	TIGE DE SOUPAPE	VALVE PISTON
DO-189	ECROU DE SOUPAPE	VALVE NUT
DO-190	CONTRE ECROU	NUT
DO-191	SOUPAPE H.P. COMPLETE N.M.	WHOLE HP VALVE
MI-36	RACCORD 1/8M 1/8M	FITTING 1/8-1/8
PC-14	BILLE INOX POLIE DE 11	STAINLESS STEEL BALL DIA 11
PH-83	JOINT TORIQUE 2,62X9,19 PTFE	PTFE GASKET 9,19 x 2,62
RO-14	RESSORT F20/10 L26,5 D13 P5	SPRING



SOUPAPE COMPLETE : DO-191
 COMPLET VALVE : DO-191

PLANCHE/PLATE : 460

CH-16	JOINT CUIVRE RECUIT 3/8	WASHER COPPER 3/8
CN-347A	RACCORD D'ALIM. 3/8 - 3/8 MM	FITTING 3/8M x 3/8M
CN-618	JOINT CUIVRE 11,4 x 6,2 x 1	WASHER COPPER 1/4
CN-633	CONNECTEUR DE COMPT. VOLUM.	CONNECTOR
CN-648	COMPTEUR VOLUMETRIQUE	WHOLE WATER DOSING DEVICE
CN-663	CLAPET ANTI RETOUR COMPACT	VALVE-NON RETURN
CN-827	COUVERCLE DOSEUR D'EAU LED R.	LID-WATER DOSER
CN-828	JOINT TORIQ DESSUS DOSEUR EAU	GASKET-WATER DOSER
CN-829	TURBINE DE COMPTEUR VOLUMETR.	TURBINE
CN-830	CORPS DU DOSEUR D'EAU	BODY - WATER DOSER
CN-898	RACCORD TE 3/8-3/8-1/4	FITTING TEE
DO-113	JOINT CONNECTEUR DE VENTOLINE	GASKET
DV-44	VIS ACIER TH 4 X 10	SCREW M4 x 10
PE-59	VIS INOX TCHC 4 x 10	SCREW M4 X 10

CN 633

DO 113

PE 59

CN 828

CN 827

CN 898

CN 829

CN 663

CN 830

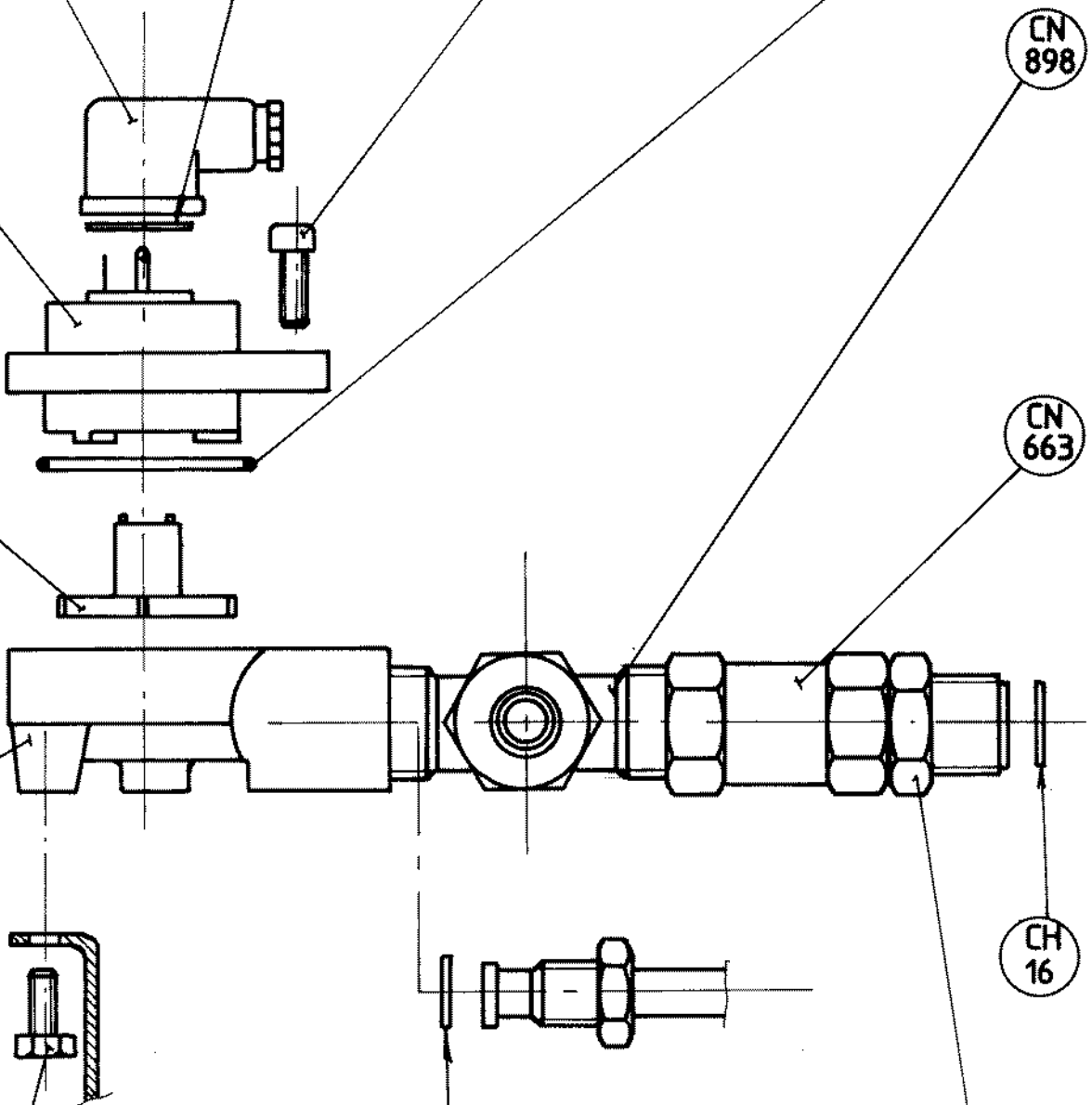
CH 16

CN 648

DV 44

CN 618

CN 347A



09-96

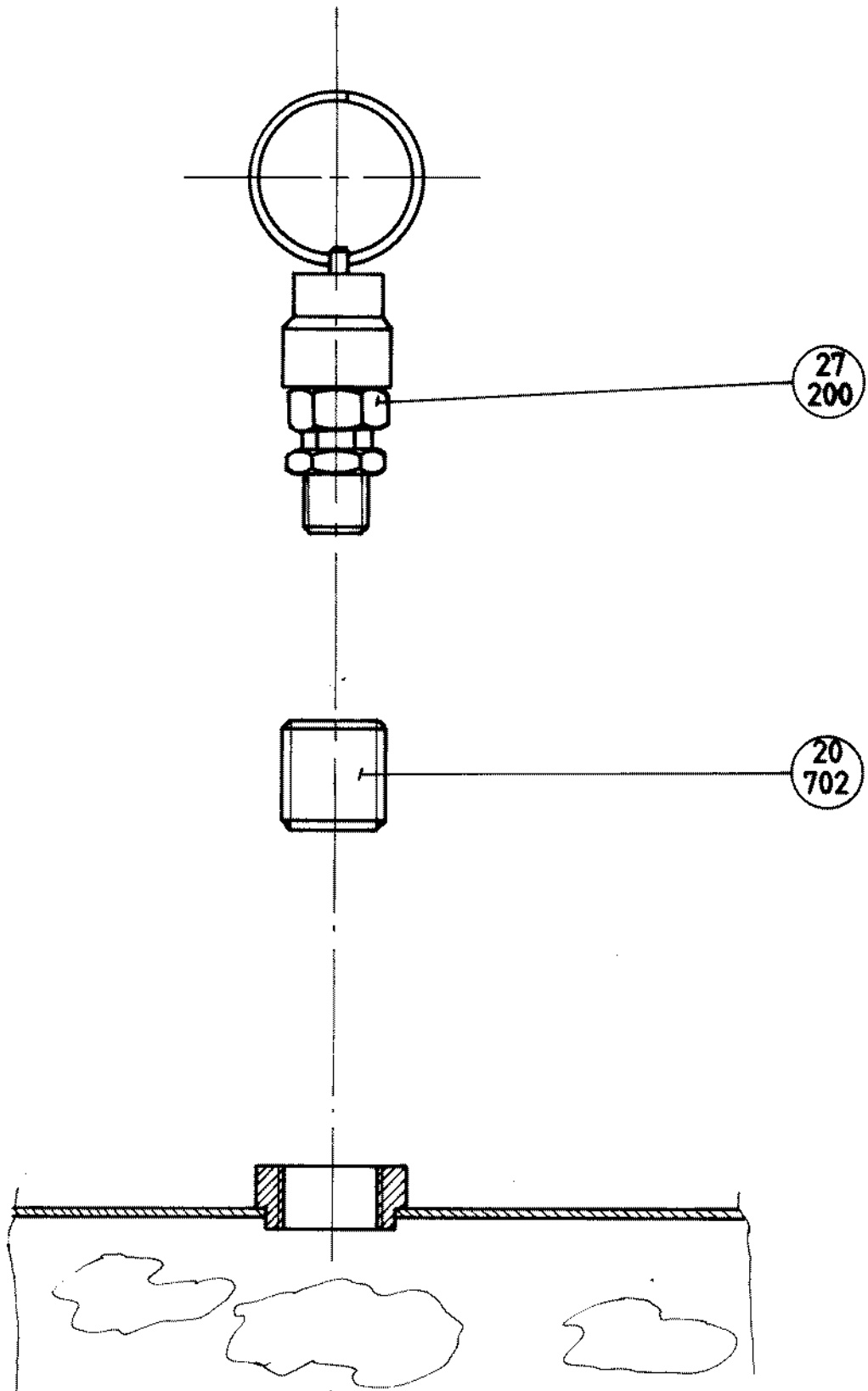
DOSEUR D'EAU
WATER DOSER

UNIC

460

PLANCHE/PLATE : 470

20702	RACCORD 1/8F - 3/8M	FITTING 1/8F - 3/8M
27200	SOUPAPE VAPEUR 3,5 BARS	VALVE LP



09-96

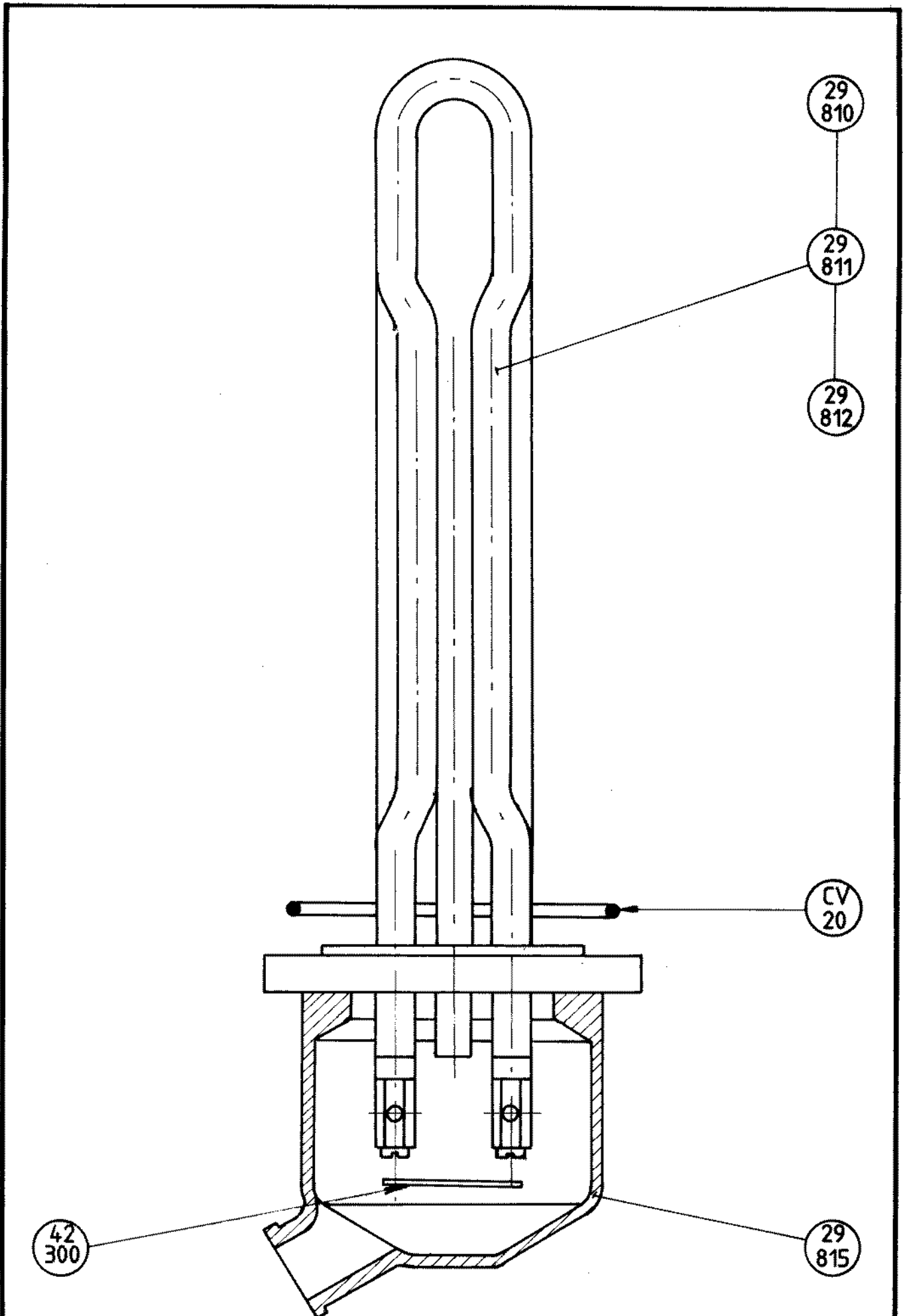
SOUPAPE BP
VALVE LP

UNICE

470

PLANCHE/PLATE : 480

29810	ELEMENT CHAUFFANT 110V-1500W	HEATING ELEMENT 110V-1500W
29811	ELEMENT CHAUFFANT 230V 2730W	HEATING ELEMENT 230V-2730W
29812	ELEMENT CHAUFFANT 230V-4370W	HEATING ELEMENT 230V-4370W
29815	PROTECTION CACHE RESISTANCE	INSULATOR BOOT
42300	CAVALIER DIA 4,5 X 13,8 X0,6	BRIDGE
CV-20	JOINT TORIQUE 3,53X66,68 FKM	GASKET 3,53 X 66,68 FKM



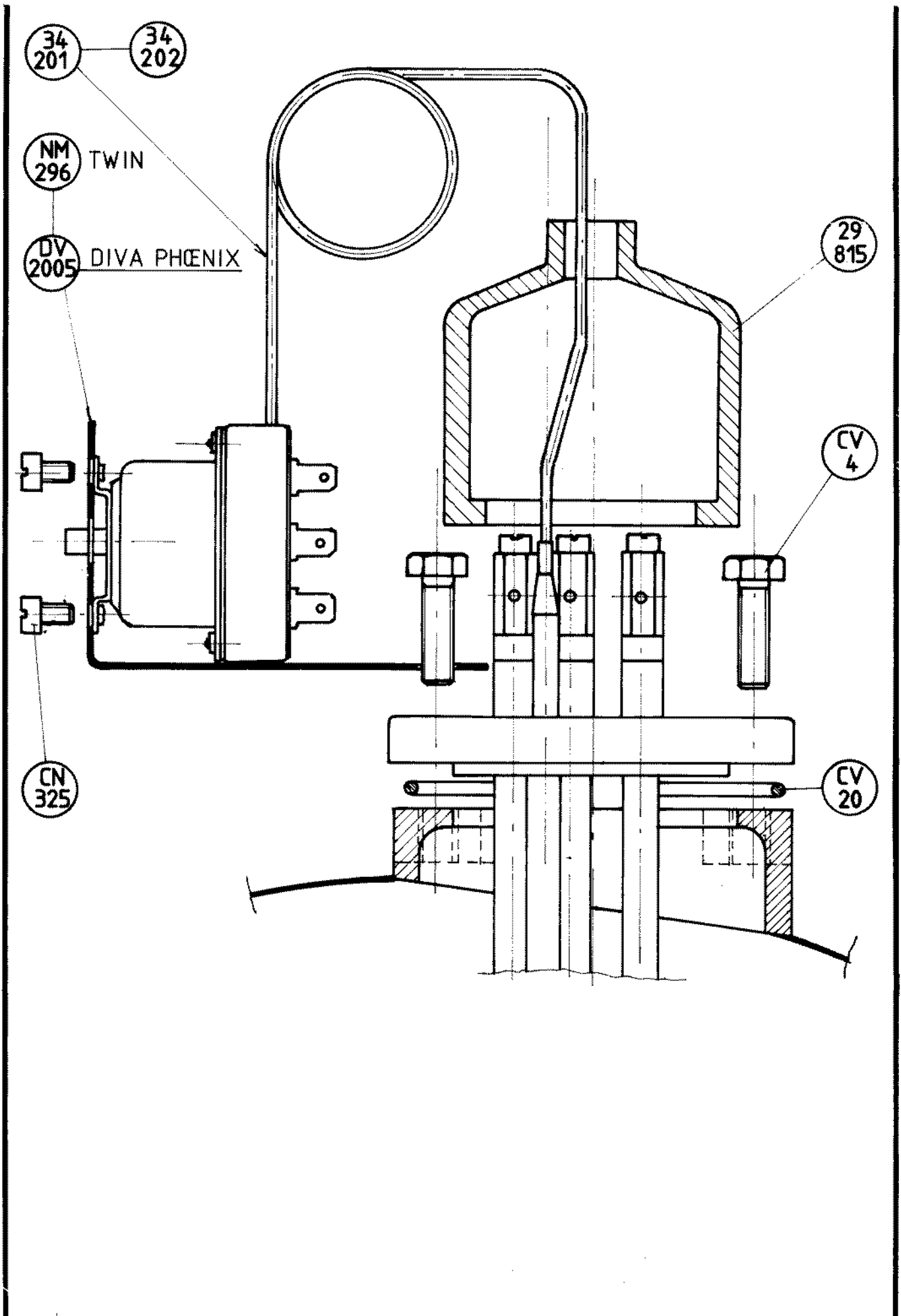
12-96

ELEMENT CHAUFFANT
HEATING ELEMENT

UNIC 480

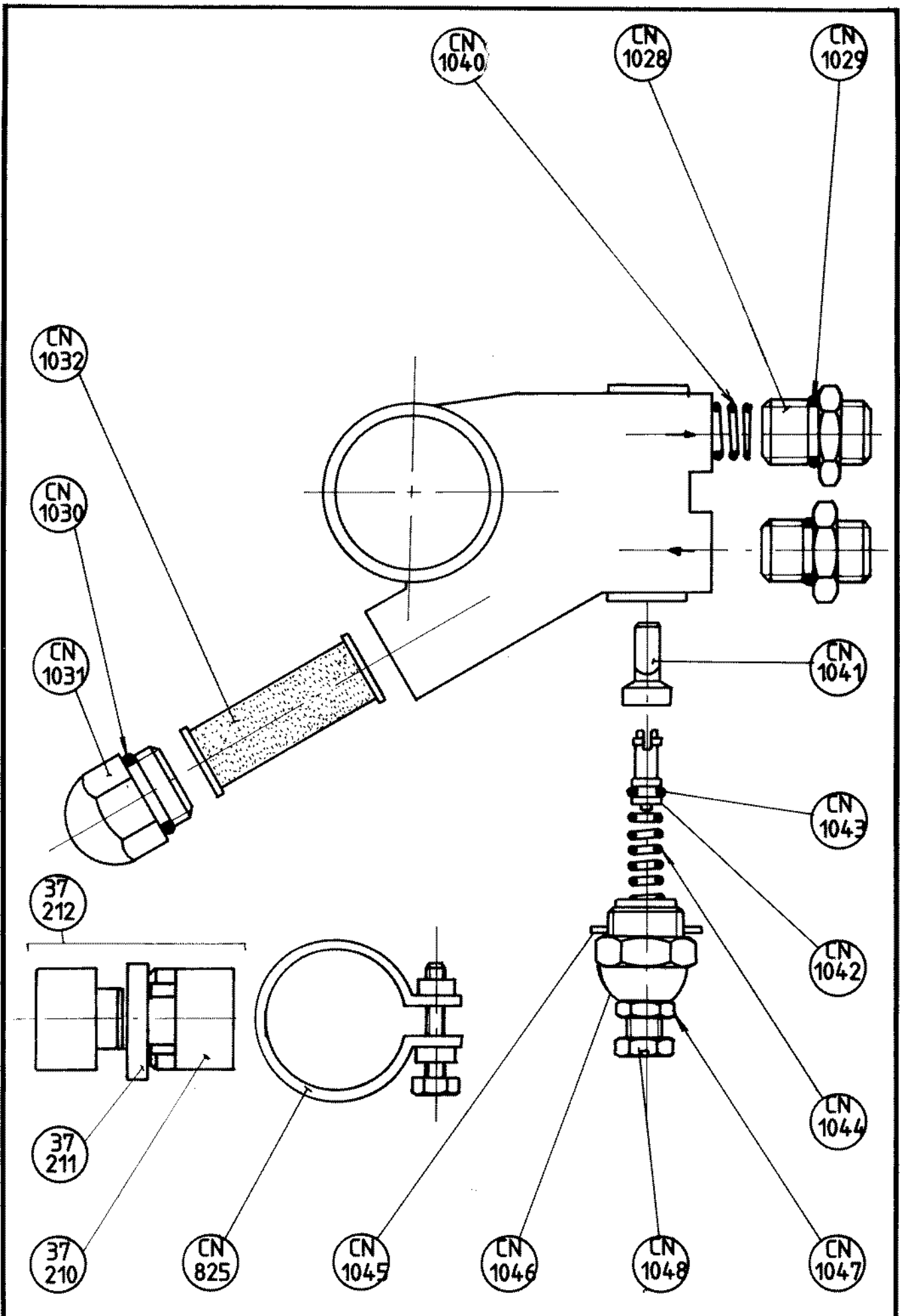
PLANCHE/PLATE : 485

29815	CACHE RESISTANCE	INSULATOR BOOT
34201	THERMOSTAT SECURITE 160C TRI	THERMOSTAT 160C TRI
34202	THERMOSTAT SECURITE 160C UL	THERMOSTAT 160C UL
CN-325	VIS INOX TC 4 x 6	SCREW M4 X 6
CV-20	JOINT TORIQUE 3,53X66,68 FKM	GASKET - 66.68 x 3.53
CV-4	VIS ACIER ZN TH 8 x 25	SCREW M8 X 25
NM-296	SUPPORT THERMOSTAT	THERMOSTAT HOLDER
DV2005	TOLE SUPPORT THERMOSTAT	SUPPORT SAFETY THERMOSTAT



PLANCHE/PLATE : 490

37210	JOINT D'ACCOUPEMENT POMPE	GANGING RING
37211	AMORTISSEUR ACCOUPLEMENT	GASKET
37212	KIT ACCOUPLEMENT	GANGING RING KIT
CN-1028	RACCORD 3/8 - 3/8	FITTING 3/8-3/8
CN-1029	JOINT TORIQUE 2,62X13,95	GASKET 13,95 X 2,62
CN-1030	JOINT TORIQUE 1,78X19,00	GASKET 19,00 X 1,78
CN-1031	RACCORD PORTE FILTRE	FILTER HOLDER FITTING
CN-1032	FILTRE	FILTER
CN-1040	RESSORT SORTIE	SPRING
CN-1041	VALVE BY-PASS EN PLASTIQUE	OPEN BY-PASS VALVE
CN-1042	AXE BY-PASS EN PLASTIQUE	BY-PASS PLUNGER
CN-1043	JOINT TORIQUE 1,78X7,00 FKM	GASKET
CN-1044	RESSORT L:21,5 X Ý:7 X Ýt:1,2	SPRING
CN-1045	RONDELLE PLASTIQUE Ý22x18x0,8	WASHER
CN-1046	RACCORD DE REGLAGE	BALANCED BY PASS NUT
CN-1047	CONTRE ECROU LAITON M10	BALANCED BY PASS WASHER
CN-1048	VIS DE REGLAGE LAITON M10	BALANCED BY PASS SCREW
CN-825	COLLIER ACCOUPLE.MOTEUR POMPE	COLLAR OF PUMP MOTOR GANGING



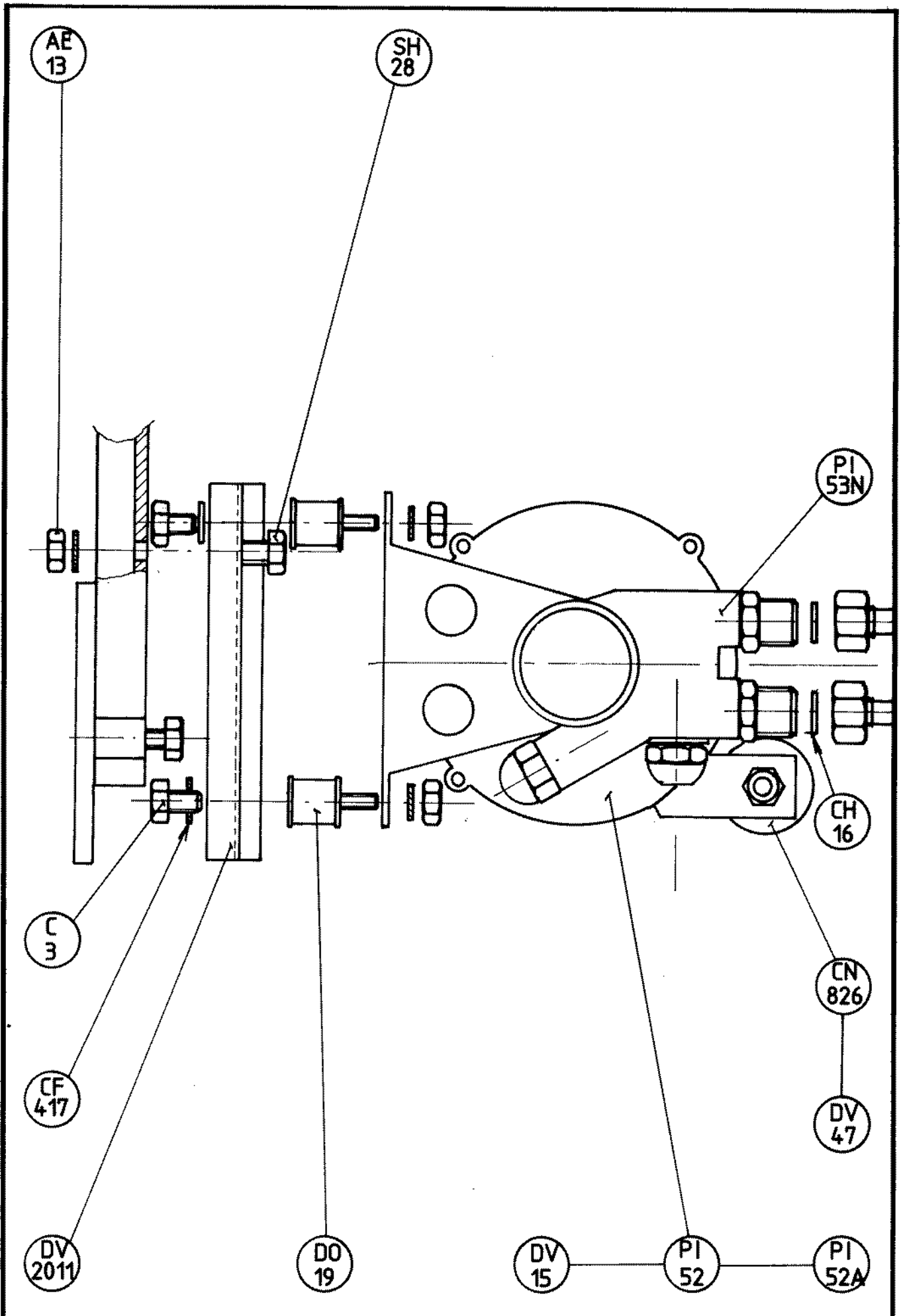
11-96

POMPE ROTATIVE
PUMP

UNIC 490

PLANCHE/PLATE : 500

AE-13	ECROU ACIER ZINGUE Hu 6-100	NUT M6
C-3	VIS TH M6 x 10 INOX	SCREW M6 X 10
CF-417	RONDELLE EVENTAIL DE 6	WASHER
CH-16	JOINT CUIVRE RECUIT 3/8	WASHER - COPPER - 3/8
CN-826	CONDENSATEUR 12,5 uF/MOT POMP	12.5uF COND. 220V 50HZ
DO-19	PLOT APB 20-20	SILENTBLOC
DV-15	MOTEUR POMPE 110V 60HZ	110V - 60HZ MOTOR
DV-47	CONDENSAT. MOT.POMPE 110V60HZ	40 CONDENSER FOR MOTOR
DV2011	SUPPORT POMPE VERTICALE	PUMP MOTOR HOLDER
PI-52	MOTEUR CANNELE 220V50HZ	MOTOR 220V 50HZ
PI-52A	MOTEUR 220V 60HZ	MOTOR 220V 60HZ
PI-53N	POMPE ROTATIVE 200L/H	PUMP
SH-28	VIS INOX TH 6 x 16	SCREW M6 X 16



11-96

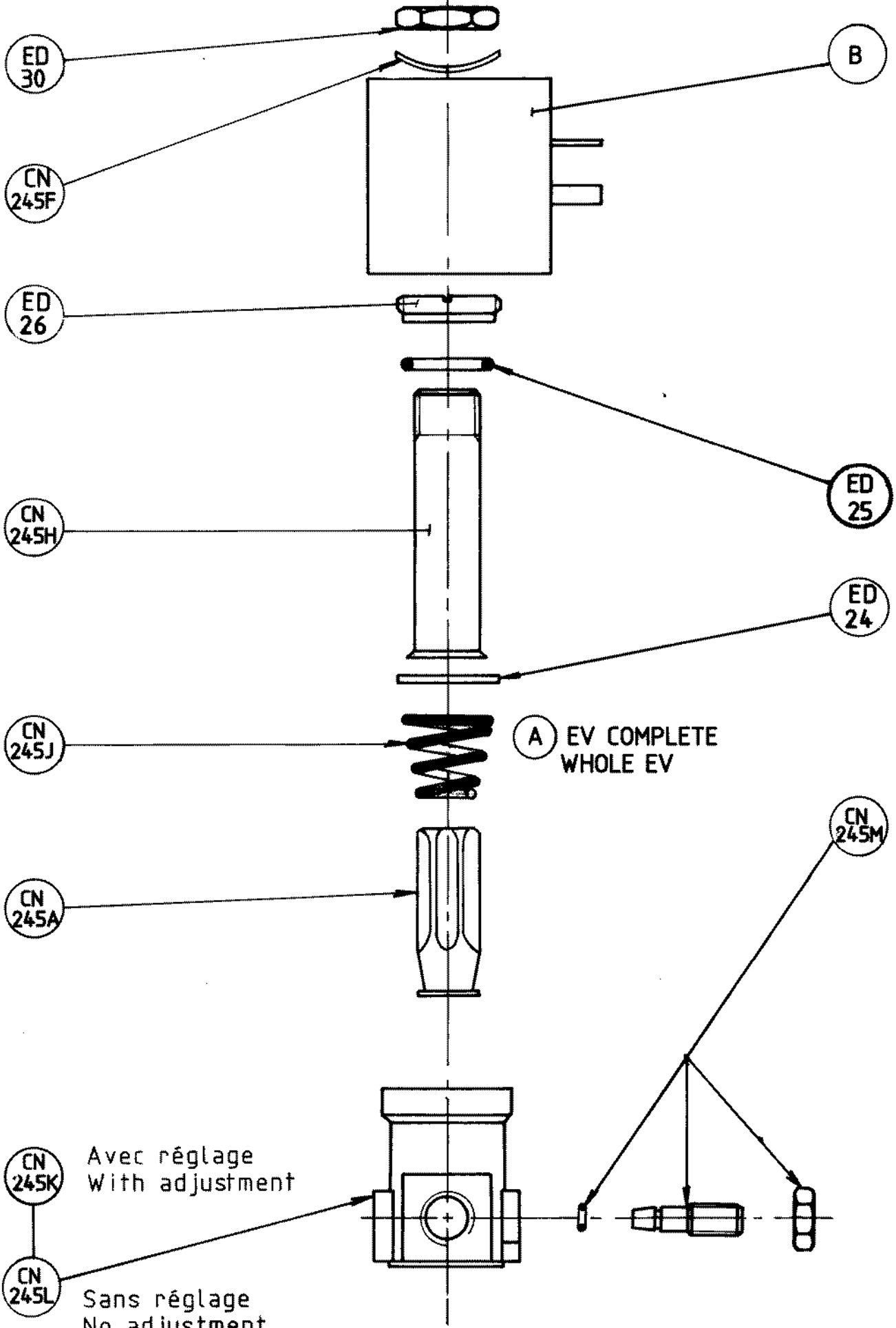
MOTEUR POMPE
PUMP MOTOR

UNIC

500

PLANCHE/PLATE : 520

A)	ELECTROVANNE COMPLETE	WHOLE ELECTROVALVE
CN-245	ELECTROVANNE 2V 220/50	WHOLE FLOW EV 220/50
CN-245D	ELECTROVANNE 2V 220/60	WHOLE FLOW EV 220/60
CN-245G	ELECTROVANNE 2V 110/60	WHOLE FLOW EV 110/60
CN-631	ELECTROVANNE 2V 220/50	WHOLE FLOW ADJ. EV 220/50
CN-631B	ELECTROVANNE 2V 220/60	WHOLE FLOW ADJ. EV 220/60
CN-631C	ELECTROVANNE 2V 110/60	WHOLE FLOW ADJ. EV 110/60
B)	BOBINE D'ELECTROVANNE	ELECTROVALVE COIL
CN-245B	BOBINE D'ELECTROVANNE 2V 220/50	ELECTROVALVE COIL 220/50
CN-245C	BOBINE D'ELECTROVANNE 2V 220/60	ELECTROVALVE COIL 220/60 208/50
MI-78	BOBINE D'ELECTROVANNE 2V 110/60	ELECTROVALVE COIL 110/60
CN-245A	CLAPET POUR ELECTROVANNE	SOLENOID PISTON
CN-245F	RONDELLE BLOCAGHE BOBINE VANNE	WASHER
CN-245H	CORPS DEPHASEUR	PLUNGER
CN-245J	RESSORT ELECTROVANNE	SPRING
CN-245K	CORPS ELECTROVANNE REGLABLE	ELECTROVALVE BODY ADJUSTABLE
CN-245L	CORPS ELECTROVANNE NON REGLA	ELECTR BODY WITHOUT ADJUSTABLE
CN-245M	ENSEMBLE VIS DE REGLAGE	SCREW KIT
CN-245W	ELECTROV COMPLETE SANS BOBINE	WHOLE ELECTROV WITHOUT COIL
CN-631W	ELECTROV COMPLETE SANS BOBINE	WHOLE ELECTROV WITHOUT COIL
ED-24	RONDELLE RESSORT POUR VANNE	SPRING WASHER
ED-25	JOINT TORIQUE POUR E.V.	GASKET
ED-26	ECROU DE SERRAGE POUR VANNE	NUT
ED-30	ECROU SERRAGE BOBINE	SOLENOID NUT



PLANCHE/PLATE : 530

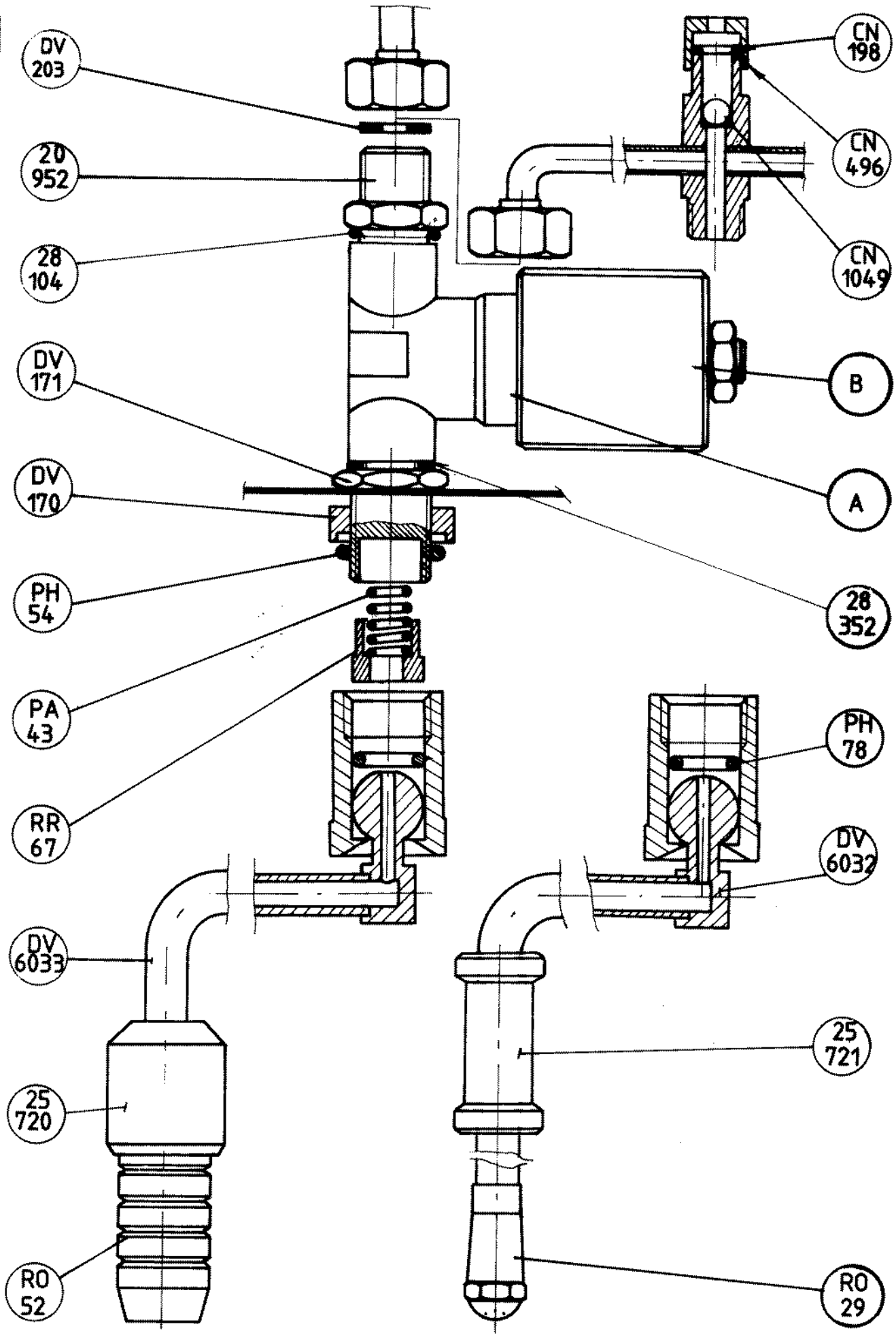
A) ELECTROVANNE COMPLETE / WHOLE ELECTROVALVE

CN-245	ELECTROVANNE 2V 220V 50HZ	ELECTROVALVE 2W 220V-50HZ
CN-245D	ELECTROVANNE 2V 220-60/208-50	ELECTROVALVE 2W 220-60/208-50
CN-245G	ELECTROV.2V 110V60Hz/100V50Hz	ELECTROVALVE 110V.60HZ

B) BOBINE D'ELECTROVANNE / ELECTROVALVE COIL

CN-245B	BOBINE ELECTROV. 2V 220V50HZ	ELECTROVALVE COIL 220V-50HZ
CN-245C	BOBINE EV 2V 220-60/208-50	EV COIL 2W 220-60/208-50
MI-78	BOBINE EV.110V 60HZ/100V 50HZ	SOLENOID COIL - 1 WAY 110V60H

20952	RACCORD 1/4 MALE	FITTING 1/4 M
25720	ISOLANT SORTIE EAU CHAUDE	HOT WATER INSULATOR
25721	ISOLANT POUR TUBE D8	STEAM PIPE INSULATOR
28104	JOINT TORIQUE 2X9,5 FKM 80SH	GASKET 2X9,5
28352	JOINT PLAT 20X12X2 EPDM 70SH	GASKET 20X12X2
CN-198	JOINT TORIQUE 1,78X6,07 FKM	GASKET - 6.07 x 1.78
CN-496	BOUCHON DE VALVE	VALVE CAP - LOW PRESS.
CN-1049	BILLE INOX DIAMETRE 8mm	STAINLESS STEEL BALL _ 8mm
DV-170	ECROU CHROME DE SORTIE VAPEUR	NUT 3/8
DV-171	RACCORD POUR SORTIE VAPEUR	FITTING 3/8
DV-203	JOINT PLAT CUIVRE 1/4 D:2mm	WASHER 1/4 D:2
DV6032	TUBE CHROME SORTIE VAPEUR	STEAM OUTLET PIPE
DV6033	TUBE CHROME SORTIE EAU CHAUDE	HOT WATER OUTLET PIPE
PA-43	RESSORT F15/10 L14,5 D10,5 P3	SPRING
PH-54	JOINT TORIQUE 2,62X13,95 EPDM	GASKET - 13.95 x 2.62
PH-78	JOINT TORIQUE 2,62X9,13 EPDM	GASKET - 9,13 X 2,62
RO-29	BRISE JET VAPEUR CHROME	STEAM SPOUT
RO-52	EMBOUT SORTIE EAU CHAUDE CHR.	WATER SPOUT
RR-67	EMBOUT LAITON	BRASS END



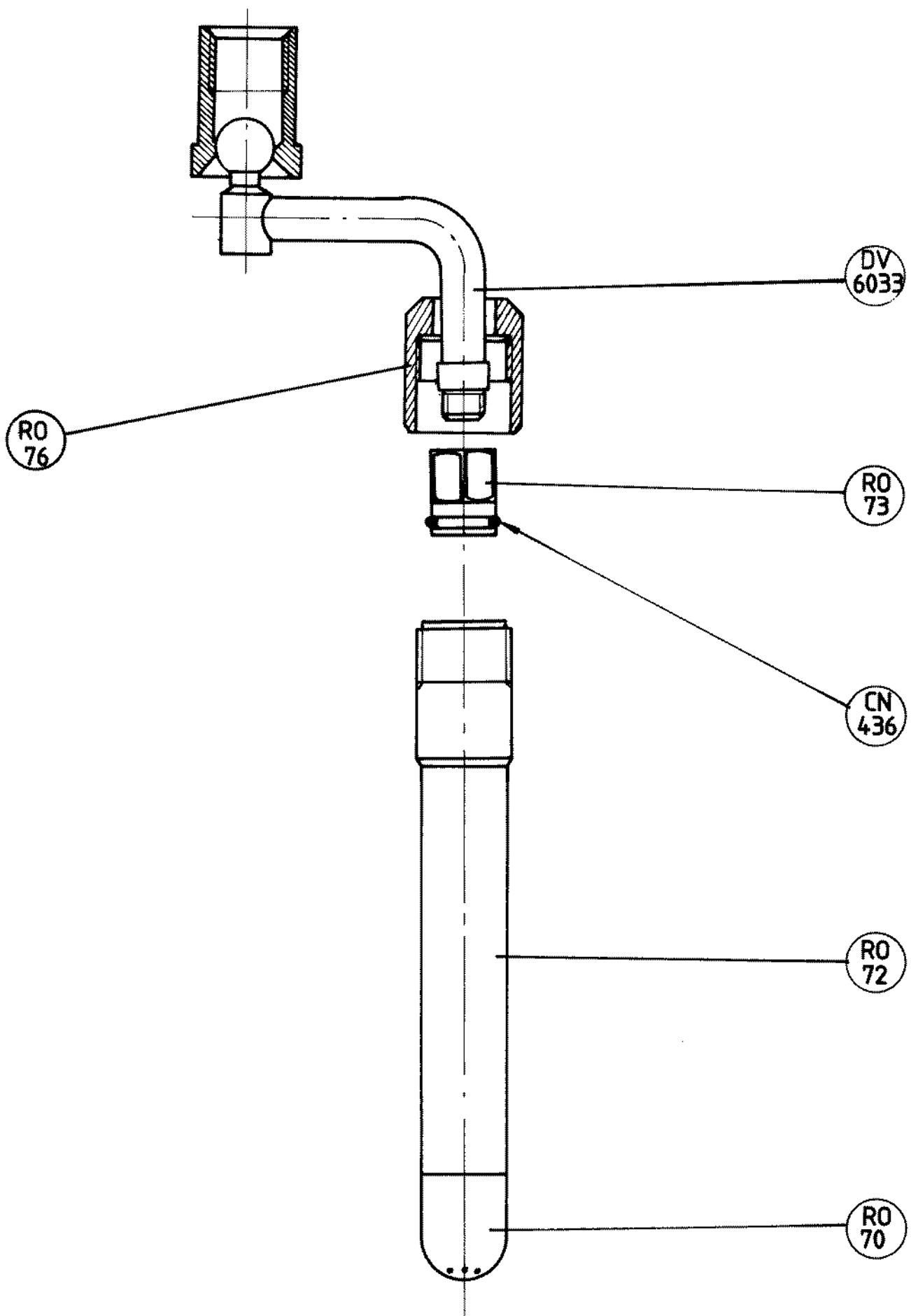
94-05

ELECTROVANNES EAU CHAUDE VAPEUR
 HOT WATER STEAM ELECTROVALVES

WILHELM 530

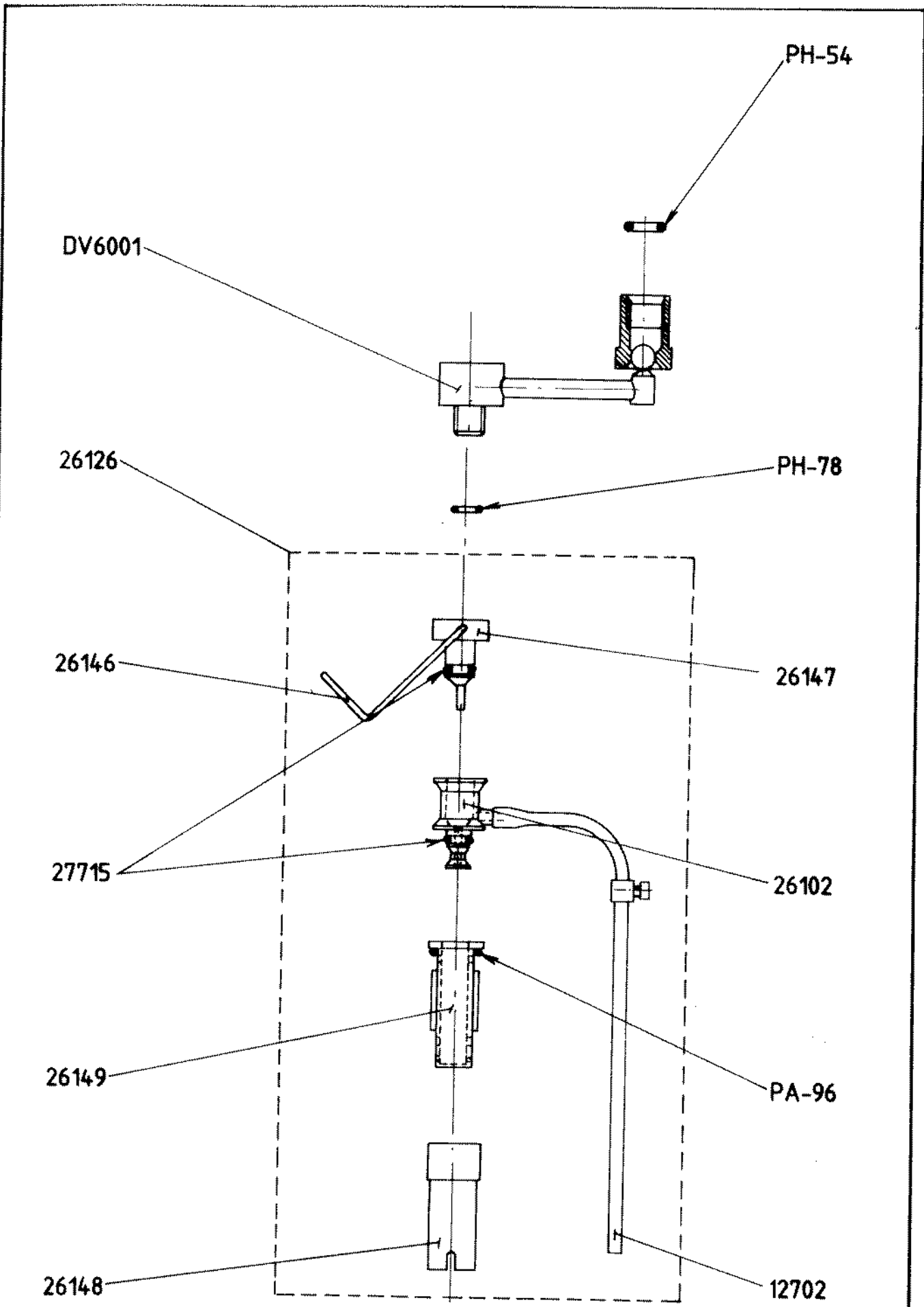
PLANCHE/PLATE : 540

CN-436	JOINT TORIQUE 1,78X8,73 EPDM	GASKET 8,73 X 1,78
DV6033	TUBE CHROME SORTIE EAU CHAUDE	WATER WAND-COMPACT
RO-69	SORTIE VAPEUR TEFLON	TEFLON STEAM SPOUT
RO-70	EMBOUT VAPEUR TEFLON 6 TROUS	LOW TEFLON PIPE
RO-72	TUBE TEFLON	PIPE TEFLON
RO-73	RACCORD SORTIE VAPEUR	FITTING STEAM OUTLET
RO-76	BAGUE SORTIE VAPEUR	FITTING PLASTIC



PLANCHE/PLATE : 550

12702	TUBE SILICONE CAPPUCINATORE	PIPE-SILICONE
26102	MELANGEUR CAPPUCINATORE	CAPPUCINATORE MIXING TUBE
26126	CAPPUCINATEUR COMPLET	WHOLE CAPPUCINATORE
26146	RESSORT DE FIXATION	SPRING
26147	BUSE VAPEUR	STEAM NOZZLE
26148	BRISE JET	ANTI-SPLASH PLUG
26149	MOUSSEUR	FROTHER
27715	JOINT TORIQUE 1,78X8,73 SILIC	GASKET 1,78 X 8,73
DV1010	KIT CAPPUCINATORE COMPLET	WHOLE CAPPUCINATORE KIT
DV6001	TUBE SORTIE CAPPUCINATORE	PIPE CAPPUCINATOR
PA-96	JOINT TORIQUE 1,78X12,42 EPDM	GASKET 1,78 X 12,42
PH-54	JOINT TORIQUE 2,62X13,95 EPDM	GASKET 13.95 X 2.62
PH-78	JOINT TORIQUE 2,62X9,13 EPDM	GASKET 2,62 X 9,13



CAPPUCCINATORE COMPLET : DV1010

12-96

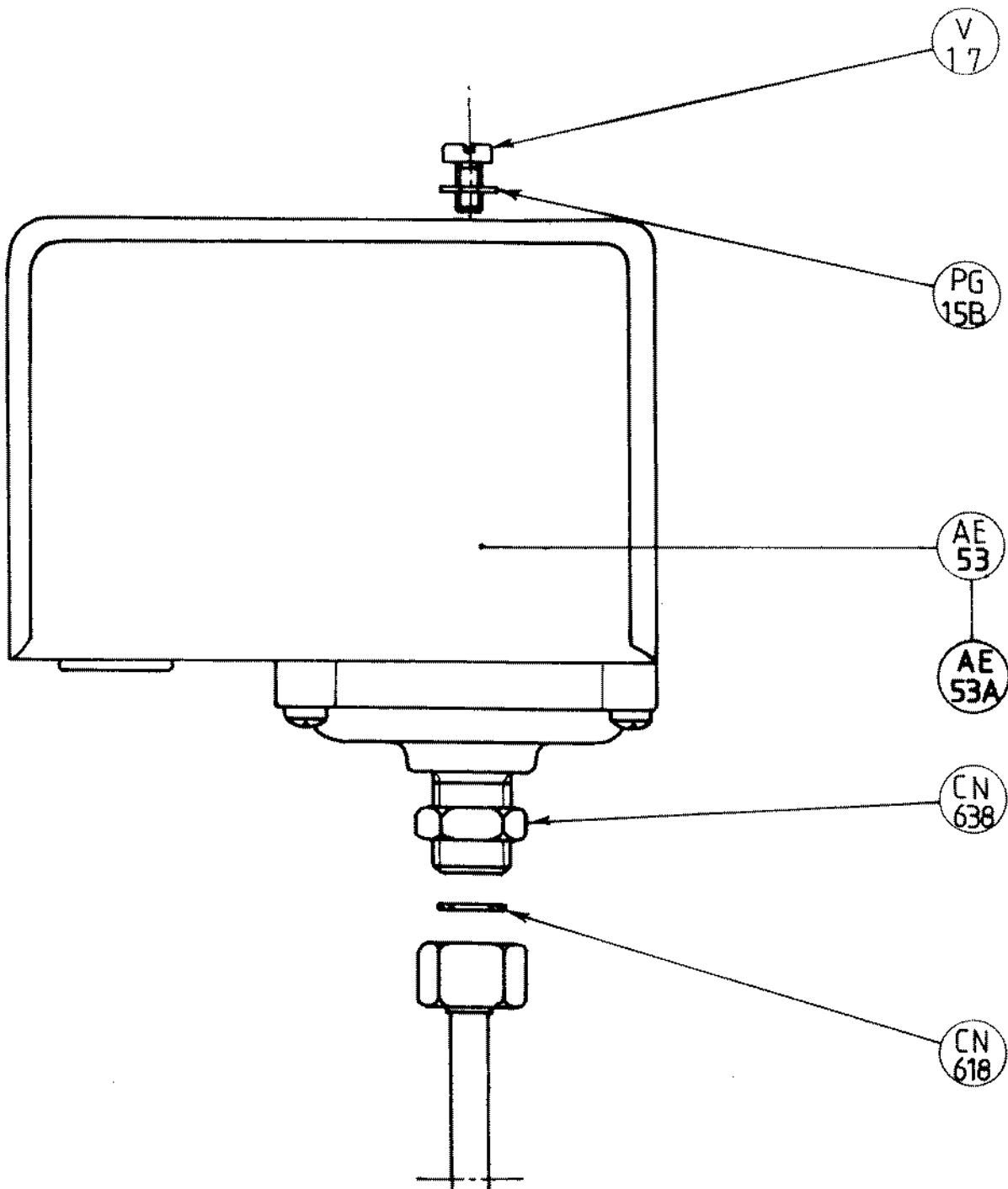
CAPPUCCINATORE



550

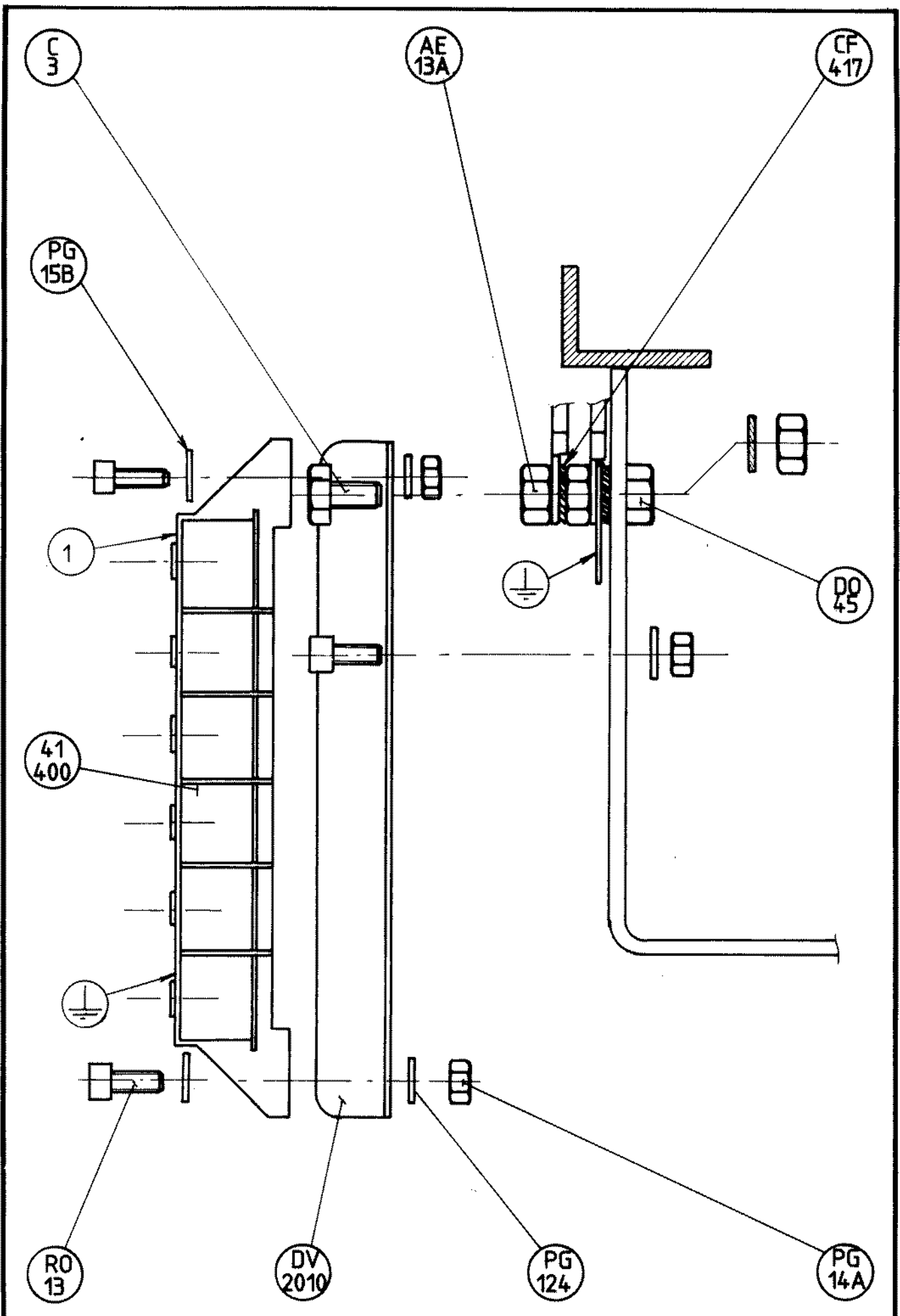
PLANCHE/PLATE : 560

AE-53	PRESSOSTAT A CONTACT SEC	PRESSURESTAT
AE-53A	PRESSOSTAT HOMOLOGUE UL	PRESSURESTAT UL
CN-618	JOINT CUIVRE 11,4 x 6,2 x 1	WASHER COPPER 1/4
CN-638	ECROU DE RESISTANCE CT	NUT 1/4
PG-15B	RONDELLE INOX MOYENNE DIAM 4	WASHER
V-17	VIS INOX TC 4 x 8	SCREW M4 X 8



PLANCHE/PLATE : 570

41400	BORNIER 6 PLOTS - SANS SHUNT	TERMINAL BOARD
AE-13A	ECROU INOX Hu 6-100	NUT
C-3	VIS INOX TH 6 x 10	SCREW M6 X 10
CF-417	RONDELLE EVENTAIL DE 6	WASHER
DO-45	VIS ACIER ZN TH 6 X 8	SCREW M6 X 8
DV2010	TOLE SUPPORT BORNIER	TERMINAL BOARD HOLDER
PG-14A	ECROU INOX DE 4	NUT
PG-15B	RONDELLE INOX 4	WASHER
PG-124	RONDELLE EVANTAIL DE 4	WASHER
RO-13	VIS INOX TC 4 x 10	SCREW M4 X 10



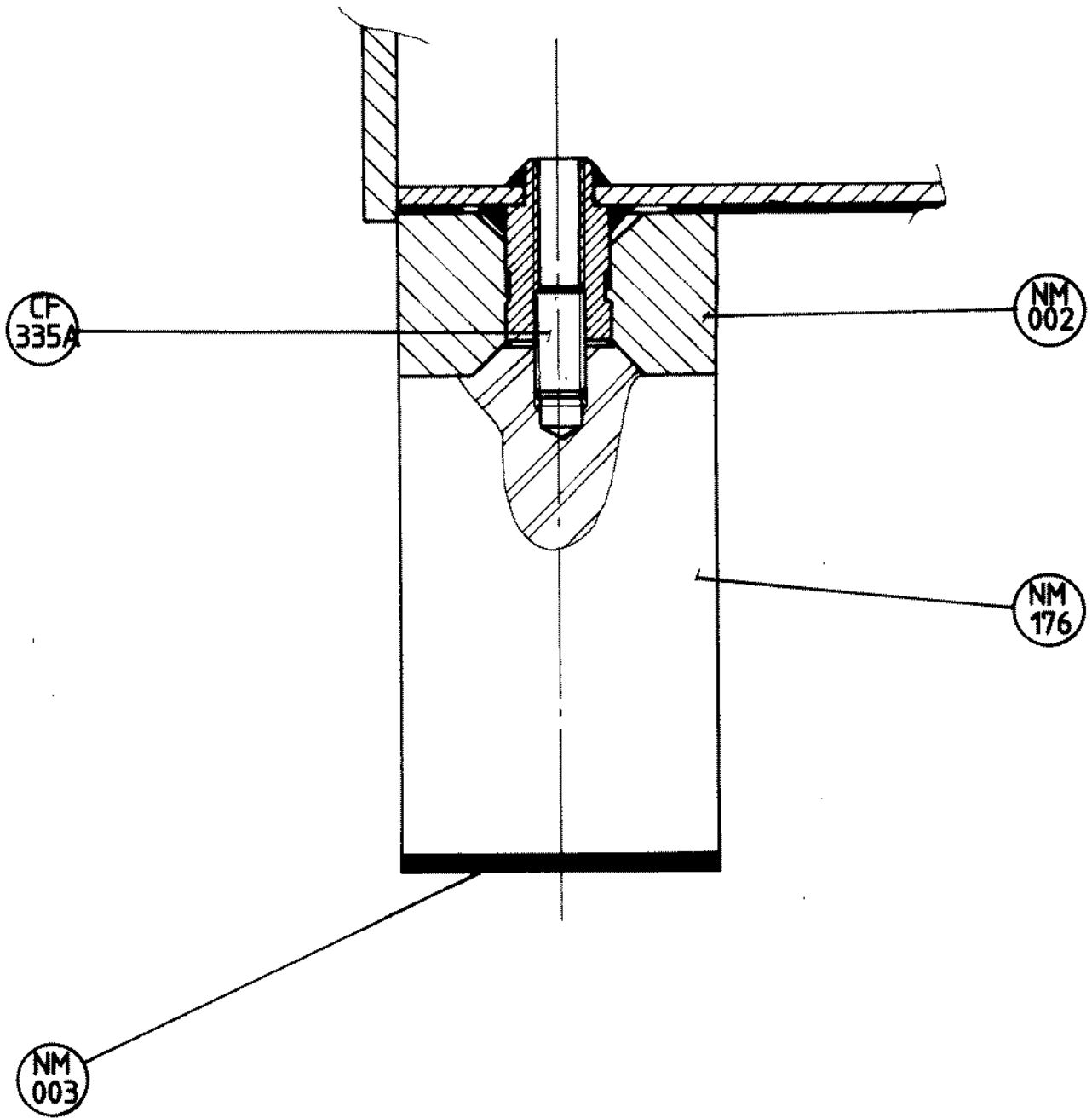
11-96

BORNIER
TERMINAL BOARD

UNIC 570

PLANCHE/PLATE : 580

CF-335A	VIS INOX STHC 8 X 25	SCREW M8 X 24
NM-002	PIED CAOUTCHOUC NOIR	FOOT
NM-003	PATIN CAOUTCHOUC POUR PIED	BASE
NM-176	PIED ALU POUR MACHINE NSF	FOOT FOR NSF MACHINE



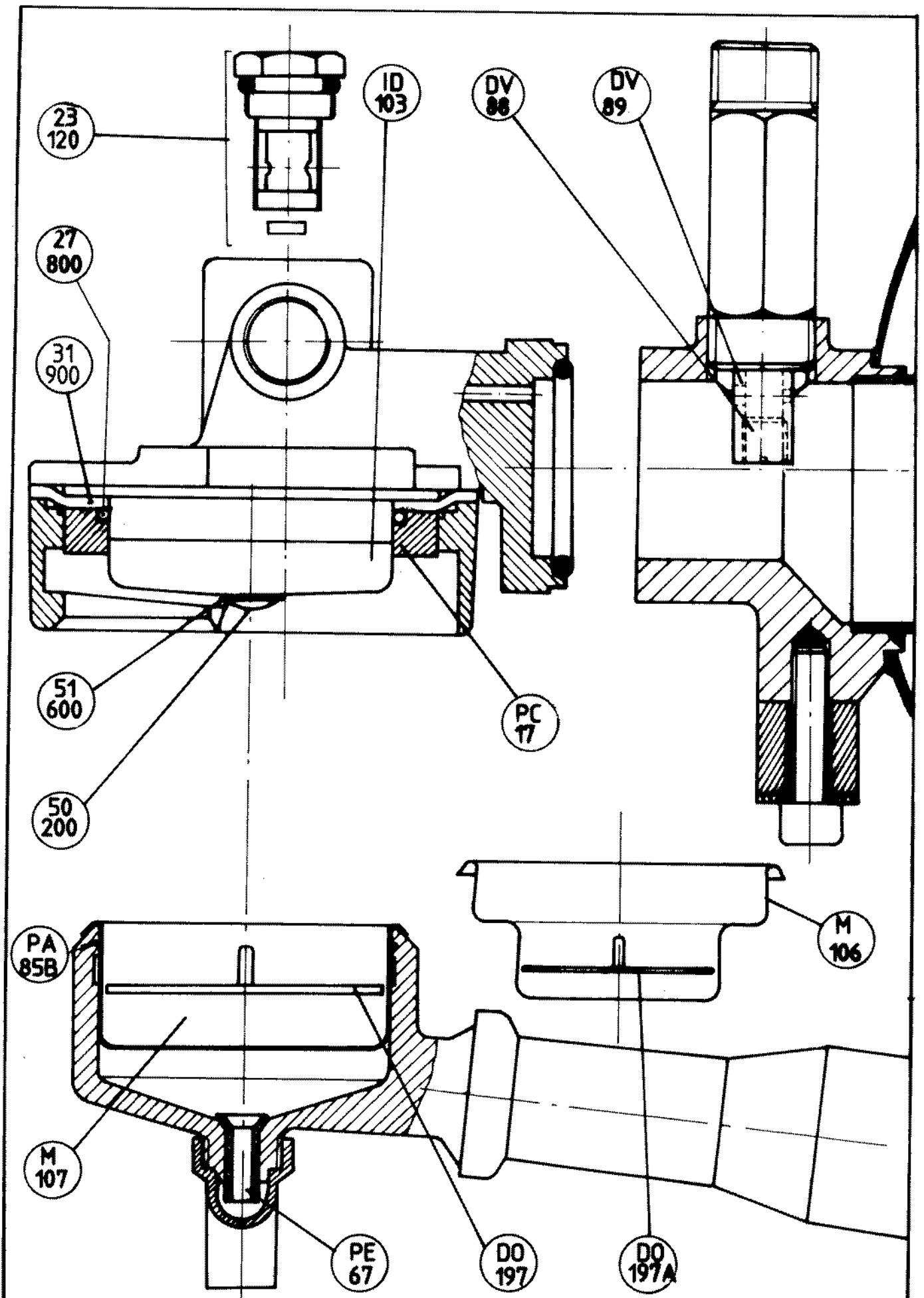
93-05

PIEDS NSF
NSF FEET

UNICE 580

PLANCHE/PLATE : 590

23120	KIT PORTE GIGLEUR DIA: 0.5	KIT GICLUER ASSEMBLY 0.5
27800	JOINT TORIQUE 2,62X52,07 NBR	GASKET 2,62X52,07
31900	ENTRETOISE PORTE COUPE 1mm	WASHER 1mm
50200	VIS TETE POELIER M5X10 INOX	SCREW M5X10 STAINLESS STEEL
51600	RONDELLE PLATE M 5 INOX 18/10	WASHER Z5
DO-197	BOUCHON DE FILTRE 2 TASSES	PLUG OF FILTER
DO-197A	BOUCHON DE FILTRE DIAM. 38	PLUG OF FILTER DIAM 38
DV-88	BOUCHON EN TEFLON	MIXING TUBE PLUG - GROUP
DV-89	TUBE ALIMENTATION PR PHOENIX	MIXING TUBE - TEFLON-GROUP
ID-103	FILTRE TASSOIR	FILTER
ID-116	KIT SPECIAL "CAFE ITALIEN"	WHOLE KIT
M-106	FILTRE 1 TASSE	FILTER 1 CUP
M-107	FILTRE 2 TASSES	FILTER 2 CUP
PA-85B	RESSORT DE COUPE DIAM FIL 1,2	CUP SPRING DIAM 1,2
PC-17	JOINT DE COUPE 57 x 75 x 9	HEAD GASKET 9mm
PE-67	REPARTITEUR DE BEC 2 VOIES	ASSESSOR FOR 2 CUP SPOUT



KIT COMPLET / WHOLE KIT ID-116

00/05

KIT CAFÉ ITALIEN
ITALIAN COFFEE KIT

UNIC 590

PLANCHE / PLATE 650

DIVA

DV-55	FIL DE SONDE NIV.	PROBE WIRE
DV-57	CABLE DU GROUPE CAFE	COFFEE UNIT CABLE
DV8001	CABLE THERMOSTAT RESISTANCE	HEATING ELEMENT THERMOSTAT CABLE
DV8002	CABLE D'ALIMENTATION BOITIER	ELECTRONIC BOX FEEDING CABLE
DV8005	FIL DE TERRE	EARTH WIRE
DV8006	FIL D'INTERCONNEXION NEUTRE	BRIDGE
DV8007	FIL D'INTERCONNEXION NEUTRE	BRIDGE
DV8008	CABLE BOUTON POUSSOIR EAU VAPEUR	WATER STEAM SWITCH CABLE
DV8009	CABLE POUR COM. EAU VAPEUR	WATER STEAM CABLE
DV8014	CABLE EVR + POMPE	FILLER EV AND PUMP CABLE
DV8015	PONT PRESSOSTAT	PRESSURESTAT BRIDGE
DV8017	CABLE RESISTANCE PRESSOSTAT	PRESSURESTAT HEATING EL. CABLE
DV8018	CABLE DOSEUR	DOSER CABLE
DV8019	CABLE D'ALIMENTATION GENERALE	GENERAL FEEDING CABLE
DV8020	CABLE FASTON FEMELLE/FEMELLE	FEMALE/FEMALE FASTON CABLE
NM8000	CABLE THERMOSTAT RESISTANCE	HEATING EL. THERMOSTAT CABLE

A: Bouton-poussoir marche-arrêt / on-off switch
 B: Bouton-poussoir chauffage / heating switch
 C: Bouton-poussoir vapeur / steam switch
 D: Bouton-poussoir eau chaude / hot water switch
 E: Electrovanne vapeur / steam electrovalve
 F: Electrovanne eau chaude / hot water electrovalve
 H: Sondes / probes
 I: Moteur pompe / pump motor
 J: Electrovanne café / coffee electrovalve

K: Electrovanne remplissage / filling electrovalve
 L: Résistances de chauffage / heating elements
 M: Boite électronique / electronic box
 O: Pressostat / pressurestat
 P: Doseur d'eau / water doser
 Q: Bornier / plug
 R: Thermostat de sécurité résistance / Thermostat

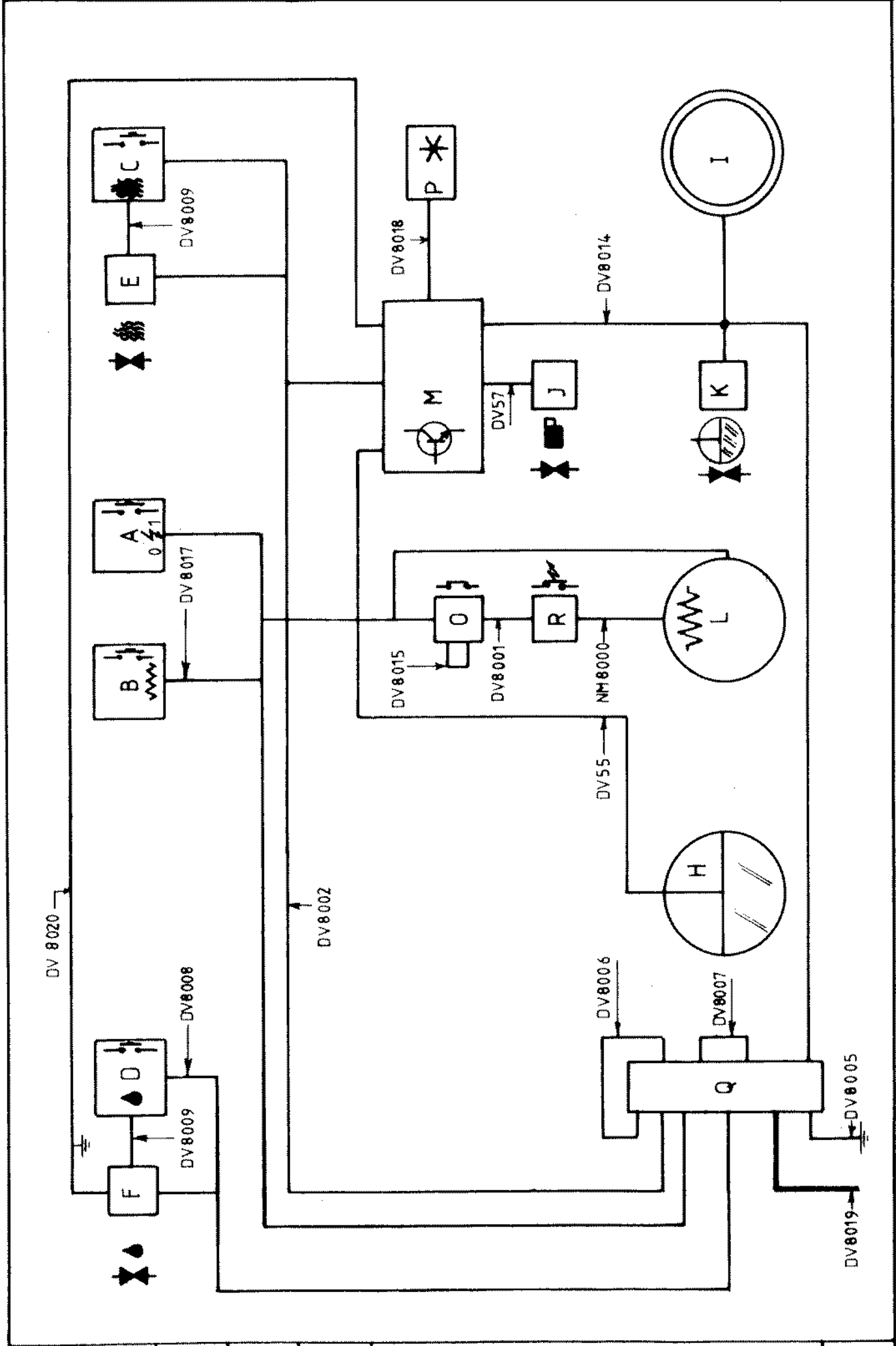


PLANCHE / PLATE 660

TWIN DIVA

DV-55	FIL DE SONDE NIV.	PROBE WIRE
DV-57	CABLE DU GROUPE CAFE	COFFEE UNIT CABLE
DV8001	CABLE THERMOSTAT RESISTANCE	HEATING ELEMENT THERMOSTAT CABLE
DV8003	CABLE D'ALIMENTATION BOITIER	ELECTRONIC BOX FEEDING CABLE
DV8005	FIL DE TERRE	EARTH WIRE
DV8006	FIL D'INTERCONNEXION NEUTRE	BRIDGE
DV8007	FIL D'INTERCONNEXION NEUTRE	BRIDGE
DV8008	CABLE BOUTON POUSSOIR EAU VAPEUR	WATER STEAM SWITCH CABLE
DV8009	CABLE POUR COM. EAU VAPEUR	WATER STEAM CABLE
DV8010	FIL DE TERRE EV VAPEUR EAU	STEAM WATER EV EARTH WIRE
DV8011	CABLE DE COM. POMPE ET EVR	PUMP AND EVR CABLE
DV8012	CABLE TRANSMISSION DONNEES	DATA TRANSMITTING CABLE
DV8014	CABLE EVR + POMPE	FILLER EV AND PUMP CABLE
DV8015	PONT PRESSOSTAT	PRESSURESTAT BRIDGE
DV8017	CABLE RESISTANCE PRESSOSTAT	PRESSURESTAT HEATING EL. CABLE
DV8018	CABLE DOSEUR	DOSER CABLE
DV8019	CABLE D'ALIMENTATION GENERALE	GENERAL FEEDING CABLE
DV8021	DERIVATION FEMELLE/FEMELLE	FEMALE/FEMALE DERIVATION
NM8000	CABLE THERMOSTAT RESISTANCE	HEATING EL. THERMOSTAT CABLE

A: Bouton-poussoir marche-arrêt / on-off switch
 B: Bouton-poussoir chauffage / heating switch
 C1: Bouton-poussoir vapeur / steam switch
 C2: Bouton-poussoir 2ème vapeur */ 2nd steam switch *
 D: Bouton-poussoir eau chaude / hot water switch
 E1: Electrovanne vapeur / steam electrovalve
 E2: Electrovanne 2ème vapeur */ 2nd steam electrovalve *
 F: Electrovanne eau chaude / hot water electrovalve
 H: Sondes / probes
 I: Moteur pompe / pump motor
 J1: Electrovanne café 1er groupe / 1st unit coffee electrovalve
 J2: Electrovanne café 2ème groupe / 2nd unit coffee electrovalve

K: Electrovanne remplissage / filling electrovalve
 L: Résistances de chauffage / heating elements
 M1: Boîte électronique 1er gr. / 1st unit electronic box
 M2: Boîte électronique 2ème gr. / 2nd unit electronic box
 O: Pressostat / pressurestat
 P1: Doseur d'eau 1er groupe / 1st unit dosing box
 P2: Doseur d'eau 2ème groupe / 2nd unit dosing box
 Q: Bornier / plug
 R: Thermostat de sécurité résistance / Thermostat

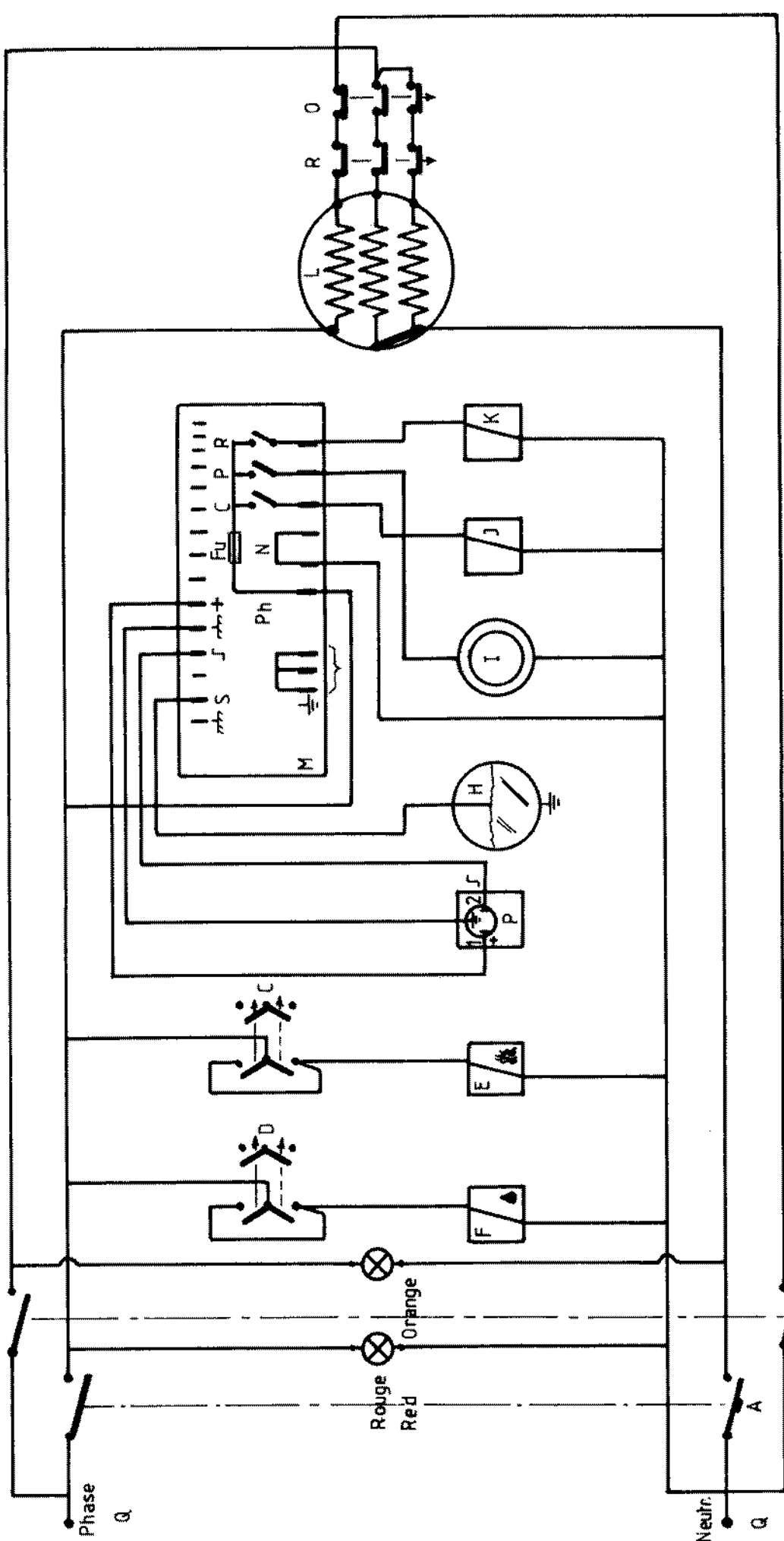
* Option

TRI DIVA

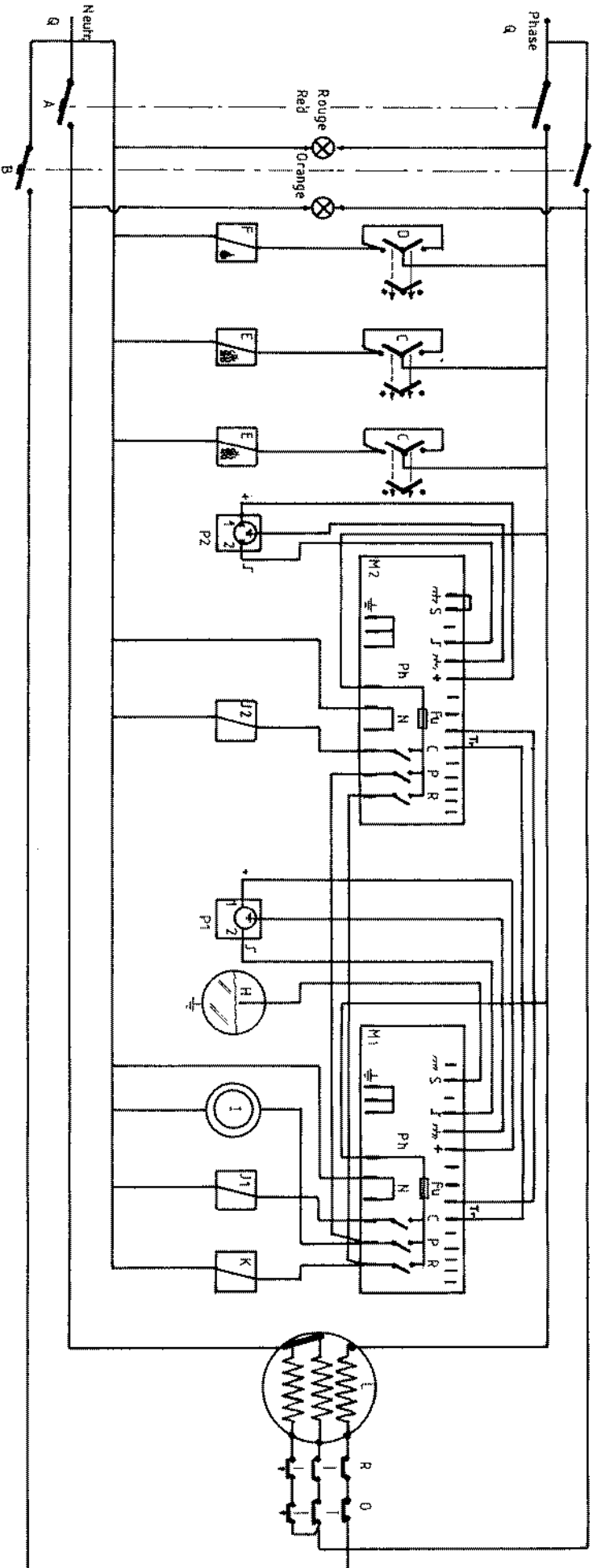
DV-55	FIL DE SONDE NIV	PROBE WIRE
DV-57	CABLE DU GROUPE CAFE	COFFEE UNIT CABLE
DV-138	FIL ALIMENTATION POMPE	PUMP FEEDING WIRE
DV8001	CABLE THERMOSTAT RESISTANCE	HEATING ELEMENT THERMOSTAT CABLE
DV8003	CABLE D'ALIMENTATION BOITIER	ELECTRONIC BOX FEEDING CABLE
DV8004	CABLE COM. 2° POMPE TWIN PHOENIX	TWIN PHOENIX 2° PUMP CABLE
DV8005	FIL DE TERRE	EARTH WIRE
DV8006	FIL D'INTERCONNEXION NEUTRE	BRIDGE
DV8007	FIL D'INTERCONNEXION NEUTRE	BRIDGE
DV8008	CABLE BOUTON POUSSOIR EAU VAPEUR	WATER STEAM SWITCH CABLE
DV8009	CABLE POUR COM. EAU VAPEUR	WATER STEAM CABLE
DV8010	FIL DE TERRE EV VAPEUR EAU	STEAM WATER EV EARTH WIRE
DV8012	CABLE TRANSMISSION DONNEES	DATA TRANSMITTING CABLE
DV8014	CABLE EVR + POMPE	FILLER EV AND PUMP CABLE
DV8015	PONT PRESSOSTAT	PRESSURESTAT BRIDGE
DV8017	CABLE RESISTANCE PRESSOSTAT	PRESSURESTAT HEATING EL. CABLE
DV8018	CABLE DOSEUR	DOSER CABLE
DV8019	CABLE D'ALIMENTATION GENERALE	GENERAL FEEDING CABLE
DV8021	DERIVATION FEMELLE/FEMELLE	FEMALE/FEMALE DERIVATION
DV8025	CABLE D'ALIMENTATION BOITIERS	ELECTRONIC BOXES FEEDING CABLE
DV8026	FIL DE TERRE ELECTROVANNE	ELECTROVALVE EARTH WIRE
DV8027	FIL DE TRANSMISSION DONNEES	DATA TRANSMITTING WIRE
DV8028	CABLE DE LIAISON BOITIERS, POMPE, EVR	CONNECTION CABLE BOXES, PUMP, FILLER EV
DV8029	CABLE EVR + POMPE	FILLER EV AND PUMP CABLE
NM8000	CABLE THERMOSTAT RESISTANCE	HEATING EL. THERMOSTAT CABLE

A: Bouton-poussoir marche-arrêt / on-off switch
 B: Bouton-poussoir chauffage / heating switch
 C1: Bouton-poussoir vapeur / steam switch
 C2: Bouton-poussoir 2ème vapeur / 2nd steam switch
 D: Bouton-poussoir eau chaude / hot water switch
 E1: Electrovanne vapeur / steam electrovalve
 E2: Electrovanne 2ème vapeur / 2nd steam electrovalve
 F: Electrovanne eau chaude / hot water electrovalve
 H: Sondes / probes
 I: Moteur pompe / pump motor
 J1: Electrovanne café 1er gr. / 1st unit coffee electrovalve
 J2: Electrovanne café 2° gr. / 2nd unit coffee electrovalve

J3: Electrovanne café 3° gr. / 3rd unit coffee electrovalve
 K: Electrovanne remplissage / filling electrovalve
 L: Résistances de chauffage / heating elements
 M1: Boite électronique 1er gr. / 1st unit electronic box
 M2: Boite électronique 2ème gr. / 2nd unit electronic box
 M3: Boite électronique 3ème gr. / 3rd unit electronic box
 O: Pressostat / pressurestat
 P1: Doseur d'eau 1er groupe / 1st unit dosing box
 P2: Doseur d'eau 2ème groupe / 2nd unit dosing box
 P3: Doseur d'eau 3ème groupe / 3rd unit dosing box
 Q: Bornier / plug
 R: Thermostat de sécurité résistance / Thermostat



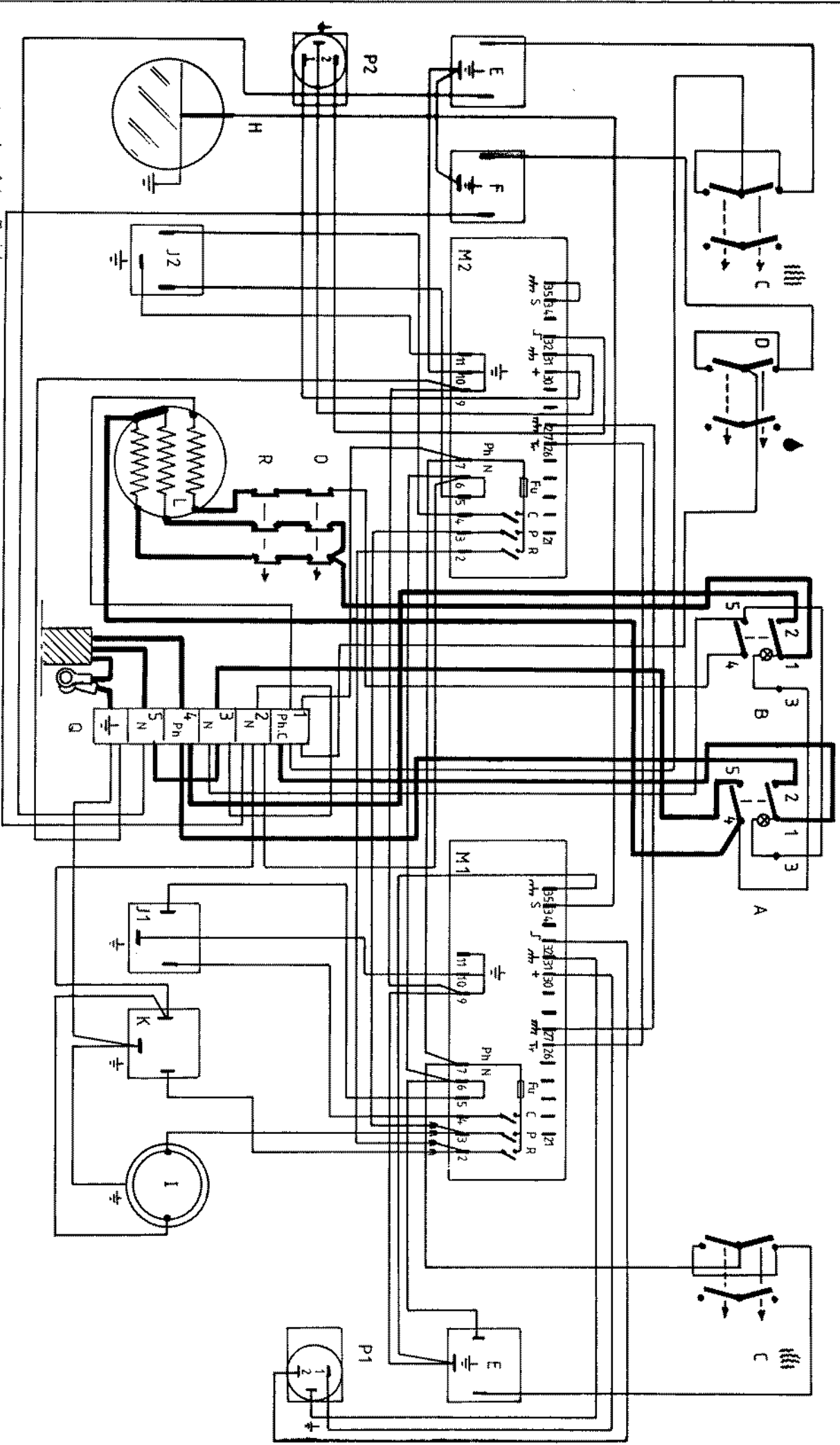
- A: Bouton-poussoir marche-arrêt / on-off switch
- B: Bouton-poussoir chauffage / heating switch
- C: Bouton-poussoir vapeur / steam switch
- D: Bouton-poussoir eau chaude / hot water switch
- E: Electrovanne vapeur / steam electrovalve
- F: Electrovanne eau chaude / hot water electrovalve
- H: Sondes / probes
- I: Moteur pompe / pump-motor
- J: Electrovanne café / coffee electrovalve
- K: Bouton-poussoir remplissage / filling electrovalve
- L: Résistances de chauffage / heating elements
- M: Boîte électronique / electronic box
- O: Pressostat / pressurestat
- P: Doseur d'eau / dosing box
- Q: Bornier / plug
- R: Thermostat de sécurité résistance / heating element safety thermostat



- A Bouton-poussoir marche-arrêt / on-off switch
- B Bouton-poussoir vapeur / steam switch
- C Bouton-poussoir eau chaude / hot water switch
- D Bouton-poussoir eau chaude / hot water switch
- E Electrovanne vapeur / steam electrovalve
- F Electrovanne eau chaude / hot water electrovalve
- H Sondes / probes
- I Moteur pompe / pump-motor
- J Electrovanne café 1er groupe / 1st unit coffee electrovalve
- K Electrovanne café 2nd groupe / 2nd unit coffee electrovalve

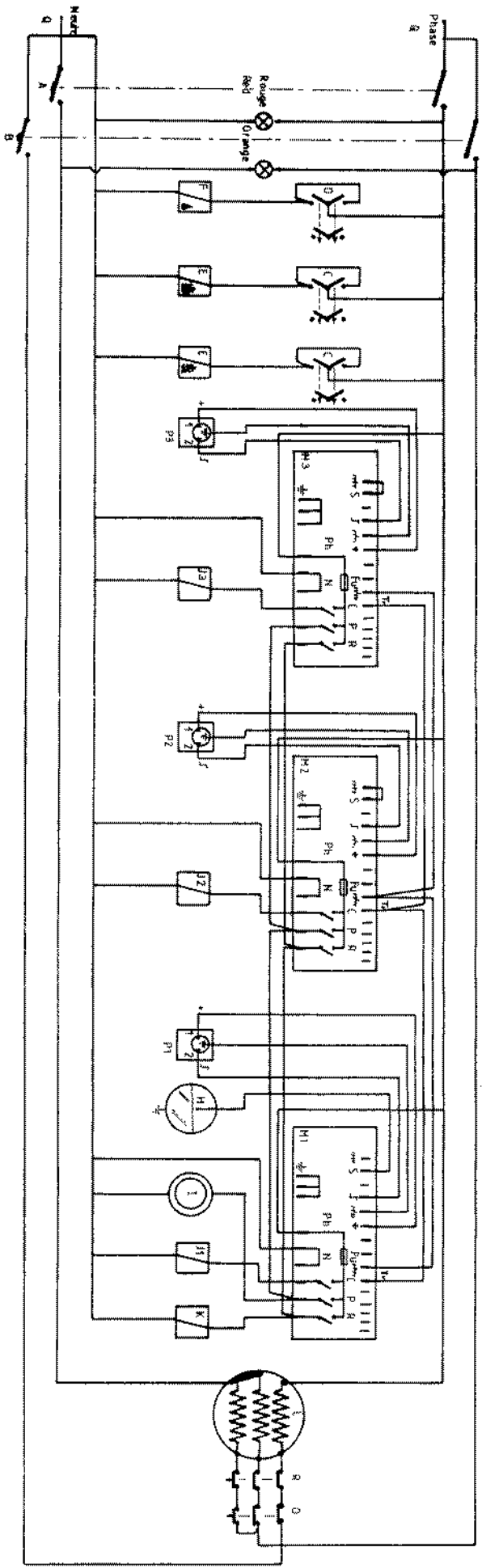
- L Electrovanne remplissage / filling electrovalve
- M1 Resistances de chauffage / heating elements
- M2 Boite électronique 1er groupe / 1st unit electronic box
- O Pressostat / pressostat
- P1 Doseur d'eau 1er groupe / 1st unit dosing box
- P2 Doseur d'eau 2nd groupe / 2nd unit dosing box
- Q Bornier / plug
- R Thermostat de sécurité résistance / heating element safety thermostat

MONO



- A: Bouton-poussoir marche-arrêt / on-off switch
- B: Bouton-poussoir chauffage / heating switch
- C: Bouton-poussoir vapeur / steam switch
- D: Bouton-poussoir eau chaude / hot water switch
- E: Electrovanne vapeur / steam electrovalve
- F: Electrovanne eau chaude / hot water electrovalve
- G: Sondes / probes
- H: Moteur pompe / pump-motor
- I: Electrovanne café 1er groupe / 1st unit coffee electrovalve
- J: Electrovanne café 2ème groupe / 2nd unit coffee electrovalve
- K: Electrovanne remplissage / filling electrovalve
- L: Résistances de chauffage / heating elements
- M1: Boîte électronique 1er groupe / 1st unit electronic box
- M2: Boîte électronique 2ème groupe / 2nd unit electronic box
- O: Pressostat / pressurstat
- P1: Doseur d'eau 1er groupe / 1st unit dosing box
- P2: Doseur d'eau 2ème groupe / 2nd unit dosing box
- Q: Barrière / plug
- R: Thermostat de sécurité résistance / heating element safety thermostat

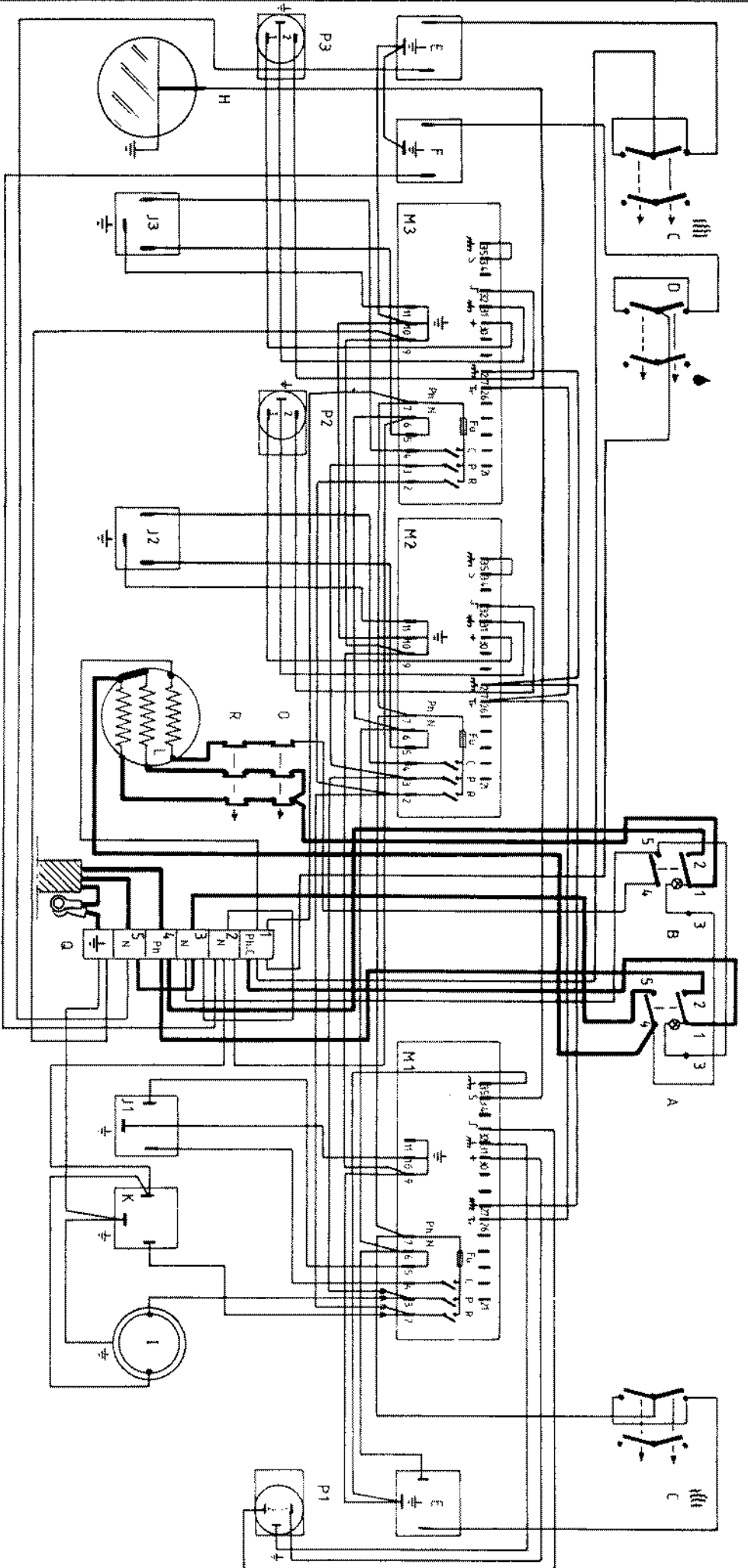
Mono



- A: Bouton-poussoir marche-arrêt / on-off switch
- B: Bouton-poussoir chauffage / heating switch
- C: Bouton-poussoir vapeur / steam switch
- D: Bouton-poussoir eau chaude / hot water switch
- E: Electrovanne vapeur / steam electrovalve
- F: Electrovanne eau chaude / hot water electrovalve
- G: Sondes / probes
- H: Moteur pompe / pump motor
- I: Electrovanne café 1er groupe / 1st unit coffee electrovalve
- J: Electrovanne café 2ème groupe / 2nd unit coffee electrovalve
- K: Electrovanne café 3ème groupe / 3rd unit coffee electrovalve

- K: Electrovanne remplissage / filling electrovalve
- L: Résistances de chauffage / heating elements
- M1: Boîte électronique 1er gr / 1st unit electronic box
- M2: Boîte électronique 2ème gr / 2nd unit electronic box
- M3: Boîte électronique 3ème gr / 3rd unit electronic box
- O: Pressostat / pressurestat
- P1: Doseur d'eau 1er groupe / 1st unit dosing box
- P2: Doseur d'eau 2ème groupe / 2nd unit dosing box
- P3: Doseur d'eau 3ème groupe / 3rd unit dosing box
- Q: Bornier / plug
- R: Thermostat de sécurité résistance / heating element safety thermostat

Mono



- A: Bouton-poussoir marche-arrêt / on-off switch
- B: Bouton-poussoir chauffage / heating switch
- C: Bouton-poussoir vapeur / steam switch
- D: Bouton-poussoir eau chaude / hot water switch
- E: Electrovanne vapeur / steam electrovalve
- F: Electrovanne eau chaude / hot water electrovalve
- H: Sondes / probes
- I: Moteur pompe / pump motor
- J1: Electrovanne café 1er groupe / 1st unit coffee electrovalve
- J2: Electrovanne café 2ème groupe / 2nd unit coffee electrovalve
- J3: Electrovanne café 3ème groupe / 3rd unit coffee electrovalve

- K: Electrovanne remplissage / filling electrovalve
- L: Résistances de chauffage / heating elements
- M1: Boite électronique 1er gr / 1st unit electronic box
- M2: Boite électronique 2ème gr / 2nd unit electronic box
- M3: Boite électronique 3ème gr / 3rd unit electronic box
- O: Pressostat / pressurestat
- P1: Doseur d'eau 1er groupe / 1st unit dosing box
- P2: Doseur d'eau 2ème groupe / 2nd unit dosing box
- P3: Doseur d'eau 3ème groupe / 3rd unit dosing box
- Q: Bornier / plug
- R: Thermostat de sécurité résistance / heating element safety thermostat

Mono