

2022

# Cleaning blocage on Stella EPIC



© 2022 EPIC

Julien MASELLI

02/03/2022

# Stella EPIC : machine blocked in cleaning

*We found a possible malfunction, which appeared after a problem during cleaning (water cut / power cut).*

*We have not yet determined the cause of the problem as it is impossible to reproduce, but a procedure is already available to remove the fault.*

Your machine **Stella EPIC** is blocked in cleaning mode:

*You already try to reboot the machine, but it doesn't change anything.*

*The BTA shows the cleaning "in process":*



*One or more group is blocked (blue lights)*




*One or more group is available.*

*Impossible to change the settings.*

## 1 Tools needed :

- 3mm BTR wrench
- SDC Epic Suction pad
- SDC Epic USB stick (with the last software version)



 BGXEPIC_100_00_35.HEX	Fichier HEX
 BSTEPIC_100_00_06.HEX	Fichier HEX
 BTAEPIC_100_00_481.tar	Fichier GZ
 CPUEPIC_100_00_36.HEX	Fichier HEX

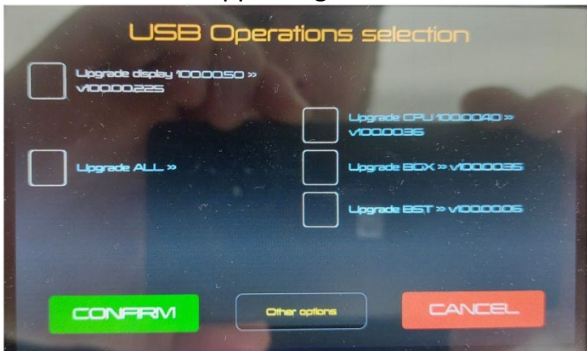
[Click Here to Download link for vs481 cleaning fix](#)

## 2 Upgrading the machine :

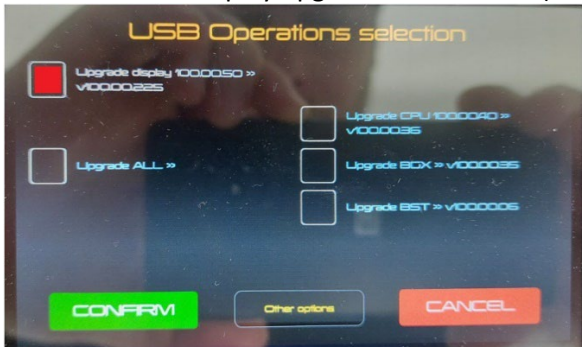
**Switch ON the machine.**

Insert USB stick.

The USB menu is appearing:



Launch the BTA Display upgrade v100.00.225 (select and click on “CONFIRM”).



Estimation: 2 minutes

**After the BTA upgrade, restart the machine.**

Launch the CPU upgrade (V 100.00.36):



Estimation: 10 minutes

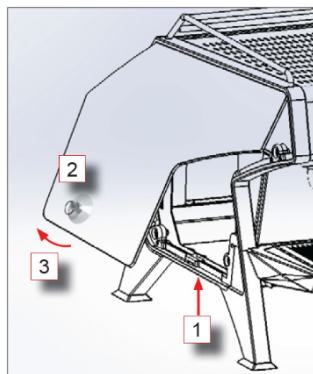
**After CPU upgrade, switch OFF the machine.**

Remove the USB stick.

## 3 Reset the cleaning process :

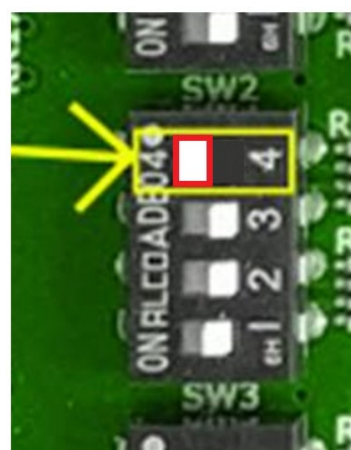
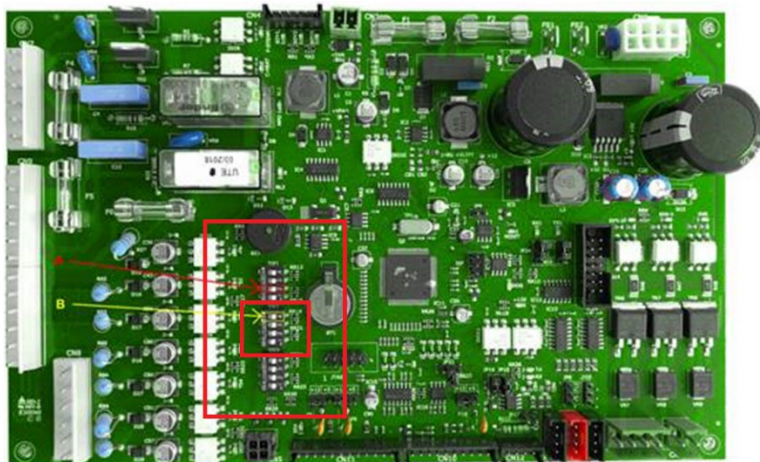
Open the **left side** of the machine:

- 1 Loosen the 3mm BTR screw
- 2 Put the suction pad on the lower part of the side
- 3 Pull the suction pad to remove the side (be careful to can be heavy)



support the side, it

On the CPU, put the switch SW2.4 on position 1:



**Switch ON the machine.**

Wait for the main menu.

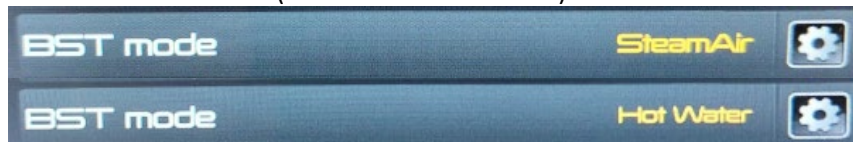
Enter the cleaning menu (just to confirm that no cleaning is processing)

Go back on main menu

## 4 Group configuration :

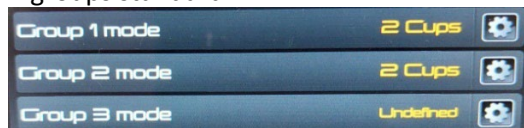
Enter the CIM menu to check the group configuration:

Choose the BST mode (SteamAir or Hot Water):

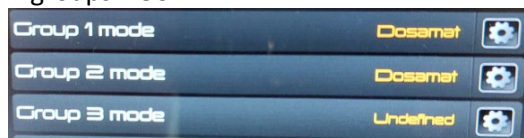


Choose the groups configuration:

2 groups standard:



2 groups DOSAMAT:



3 groups standard:



3 groups DOSAMAT:



Go back on the main menu

**Switch OFF the machine.**

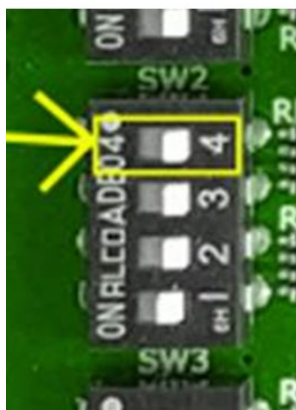
On the CPU, put back the SW2.4 switch on 0:

Reinstall the left panel

Tighten the 3mm BTR screw

**Switch ON the machine.**

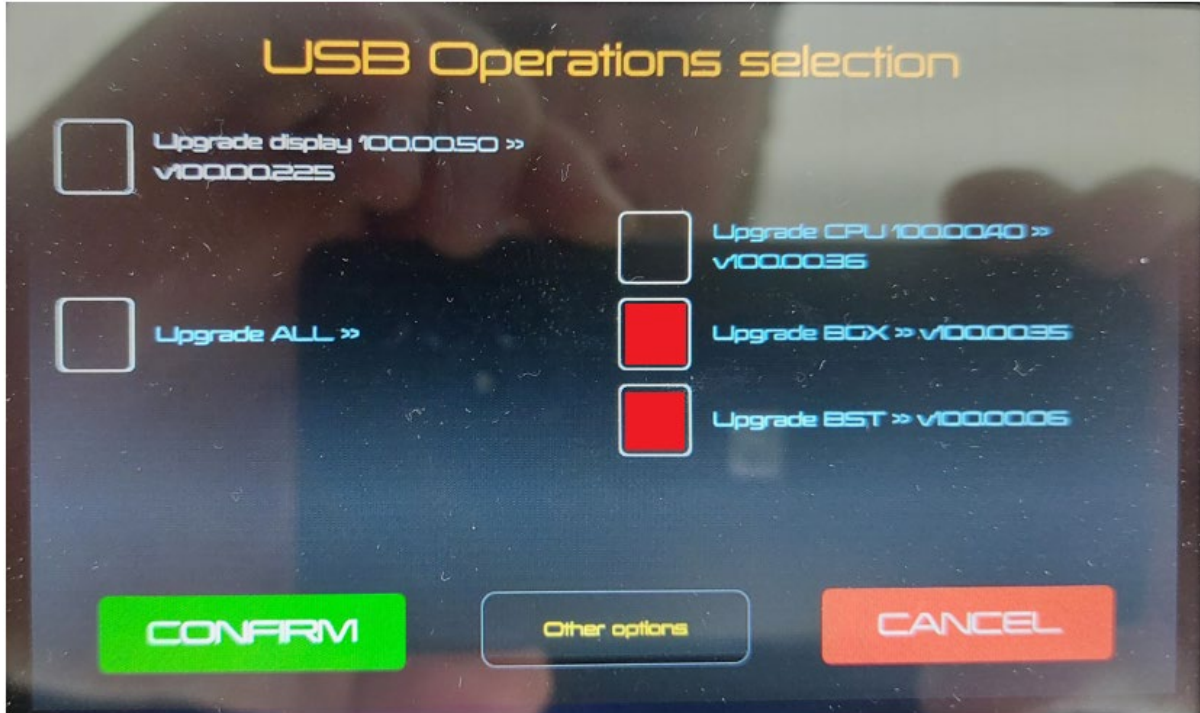
Insert USB stick



Référence	97007
Révision	03/03/2022
Auteur	JM

## 5 BGX and BST upgrade :

Launch the BGX Upgrade (v100.00.35) and BST upgrade (v100.00.06)



Estimation: 10 minutes

**After the upgrade, restart the machine.**

The machine is now unblocked and upgraded.  
Please check the settings and change it if needed:

- Temperatures
- Volumes
- Times

Restart the machine after all changes to save it.

**Reminder:**

**Never switch OFF the machine during cleaning.**  
**Never switch OFF the machine during upgrade.**