

► Procedure for updating software

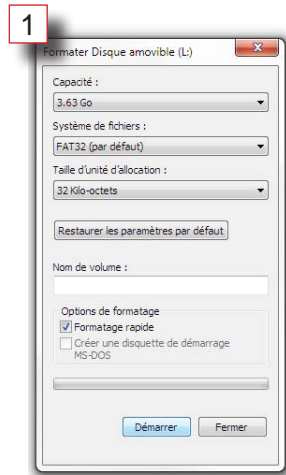
◆ Copy the file into the micro SD card

Use a microSD card type SDHC 4GB or smaller



1. Format the microSD card (right click > Format)

Enter a new name for the card if desired



Pony Software 2.16 Downloadable Link

Download the file from the above link

Select 'Download all' from the right of the browser window – file will prepare for download.

Select 'Download now' when file becomes available

Open a new folder window and locate the 'Downloads' file.

Right-click the new compressed (ZIP) folder *Pony Software 2.16 place hes file on SD card*

Select '**Extract All**'.

When prompted to select a destination and extract files, select 'Browse' and choose 'Desktop' as the file destination, then select 'Extract'.

Double-click the new folder on the desktop.

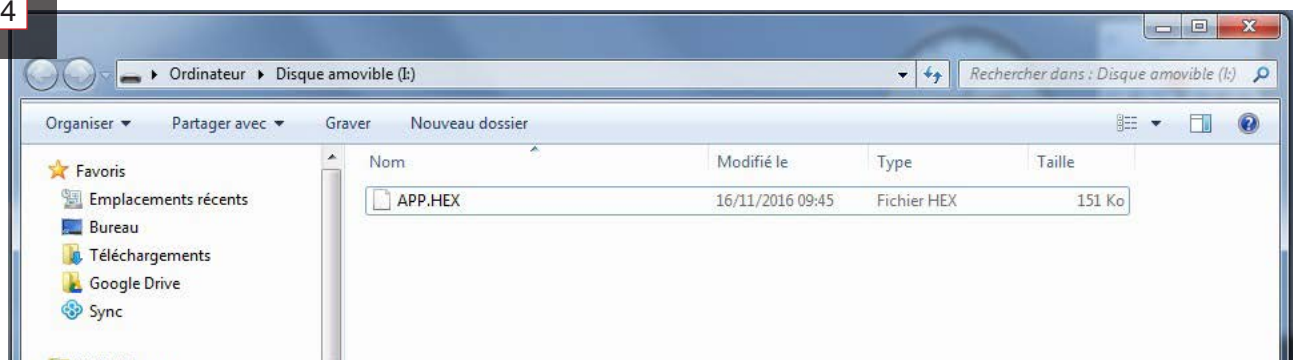
Copy or paste the *app.hex* file onto the SD card

Important: Place only the app.hex file on the SD card!

Right-click on the SD card drive and choose 'Eject'.

Remove SD card from computer.

4



The microSD card is now ready to update the machine.

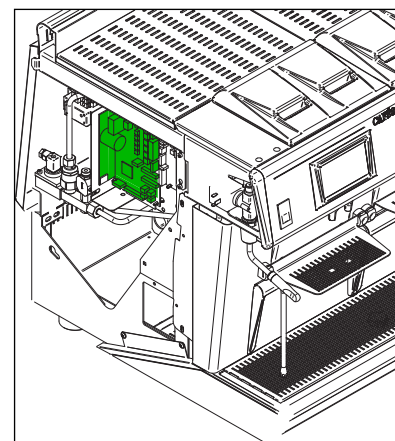
◆ Updating the machine

WARNING: The operation must be performed by a qualified technician. Step 4 requires power to the machine with the covers off.

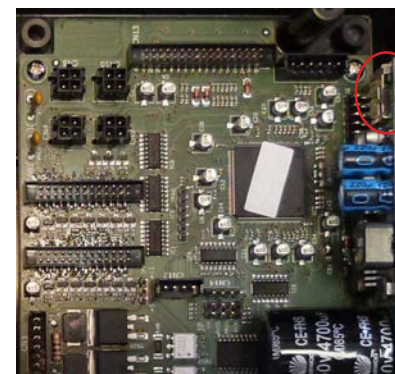
1. Turn the main power switch to position 0.
2. Remove the left side panel, the card is accessible.
3. Insert the microSD card into the micro SD port
4. Turn the main power switch ON (position 1)

Wait 20 seconds

DO NOT TURN OFF OR UNPLUG THE MACHINE DURING THE UPDATE



5. Turn the main power switch OFF (position 0)
6. Remove the micro SD card (The machine will not function with the card in place.)
7. Replace all covers and panels
8. Turn ON the machine
9. Check programmed settings for coffee, water and steam



The machine is now up to date